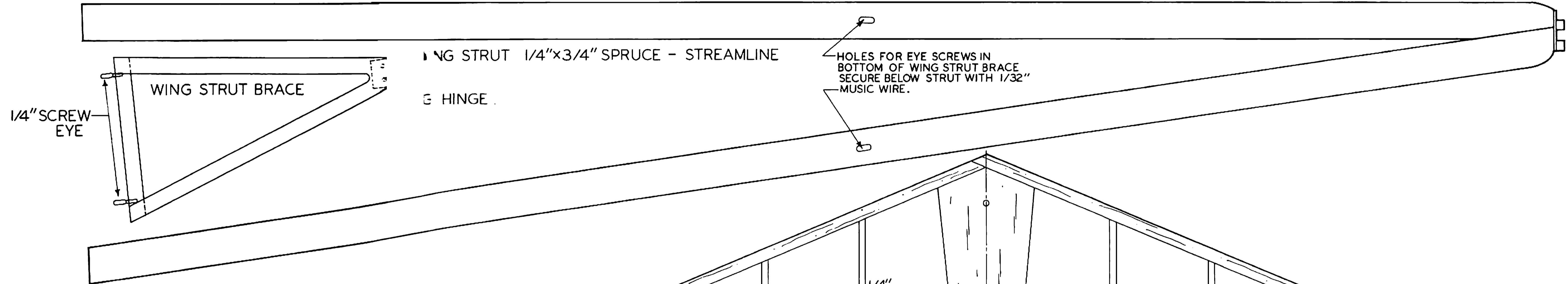
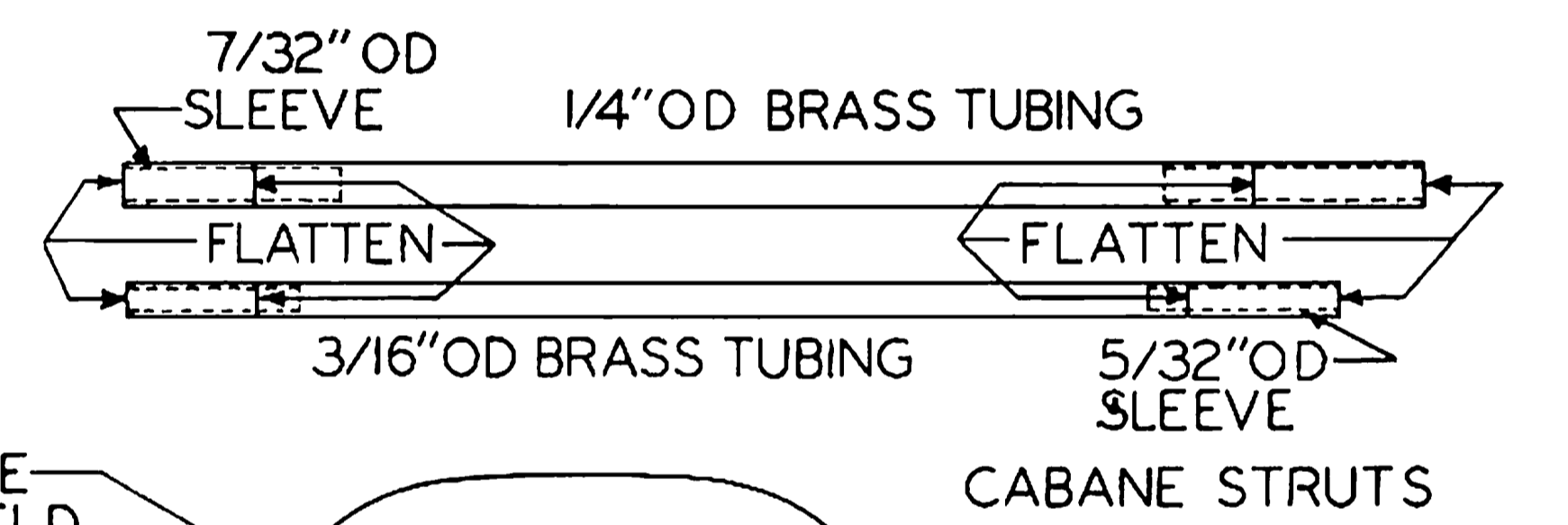
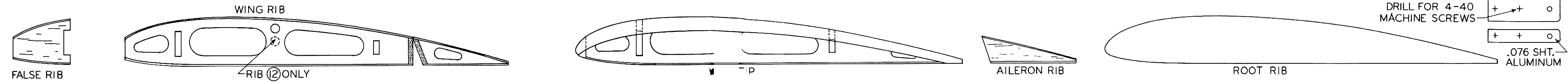
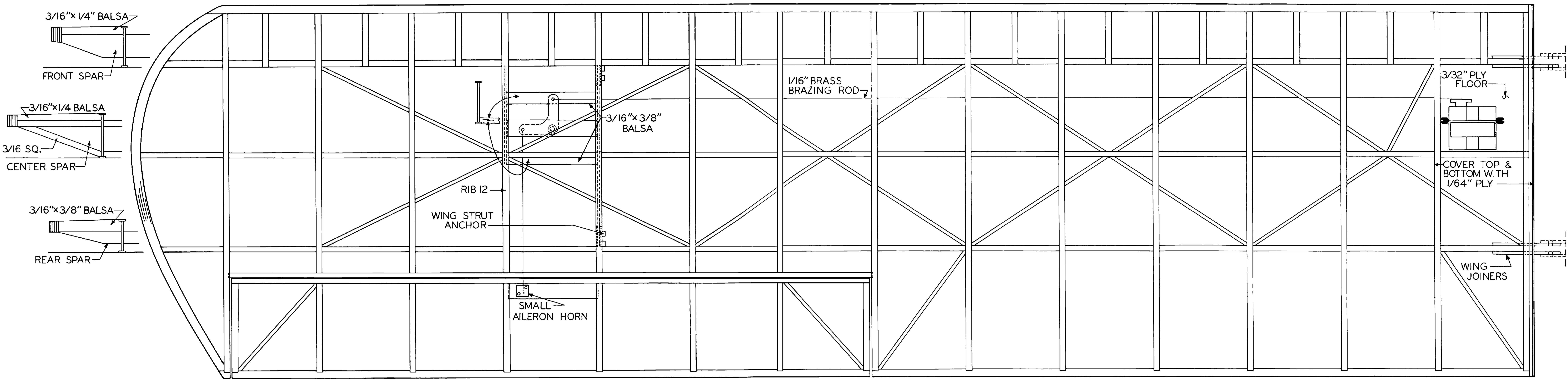


TYPICAL AFT FUSELAGE CROSS SECTION



- FINS 1/32" PLY
- DUMMY V.W. ENGINE
- SPACER 1/16" PLY
- HEAD 1/4" Balsa
- HEAD 1/4" Balsa
- VALVE COVER RIM 1/16" PLY
- VALVE COVER 3/8" Balsa
- INTAKE & EXHAUST PIPES 3/16" OD

