

GENERAL NOTES

1. ALL WOOD IS Balsa, UNLESS NOTED OTHERWISE.
2. INSTALL STABILIZER/ELEVATOR ASSEMBLY AT THE SAME NEGATIVE DIHEDRAL ANGLE, AS THE WING

SHEET 1 OF 2

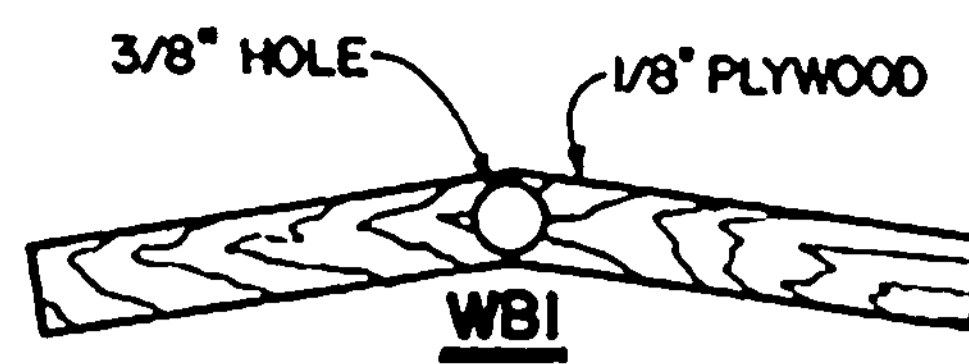
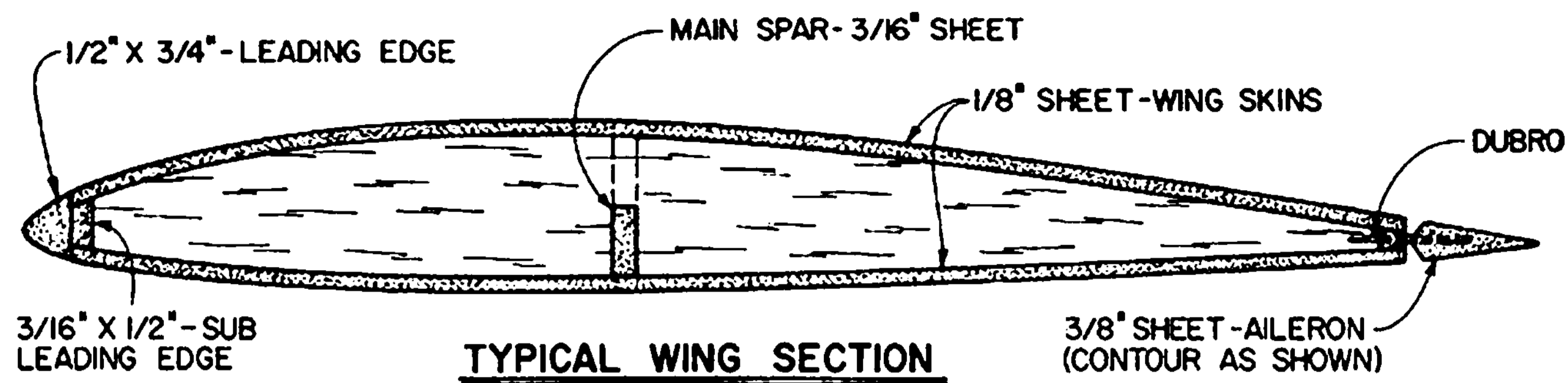
HAWKER SIDDELEY HARRIER

A 40 POWERED SPORT SCALE DESIGN

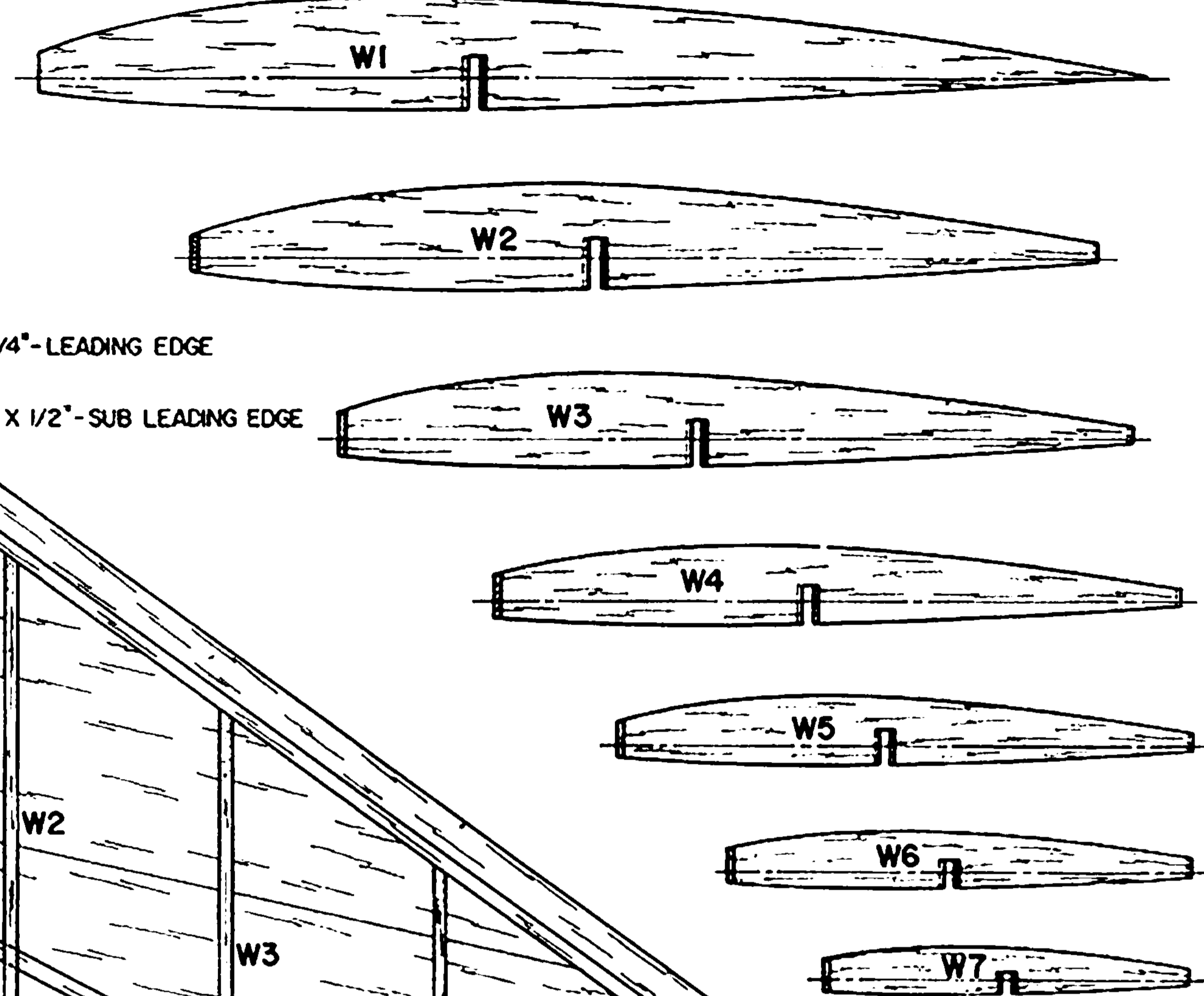
DESIGNED & DRAWN BY PAVEL BOSAK
PLANS BY *Bob W. Allen*

0 1 2 3 4 5 6

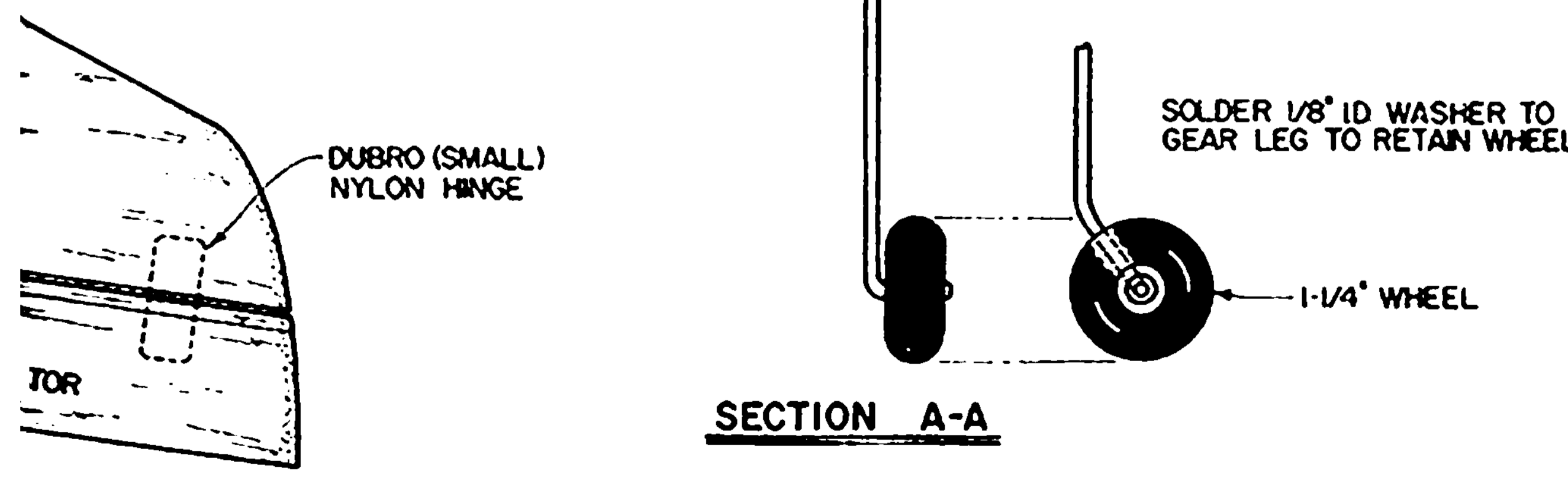
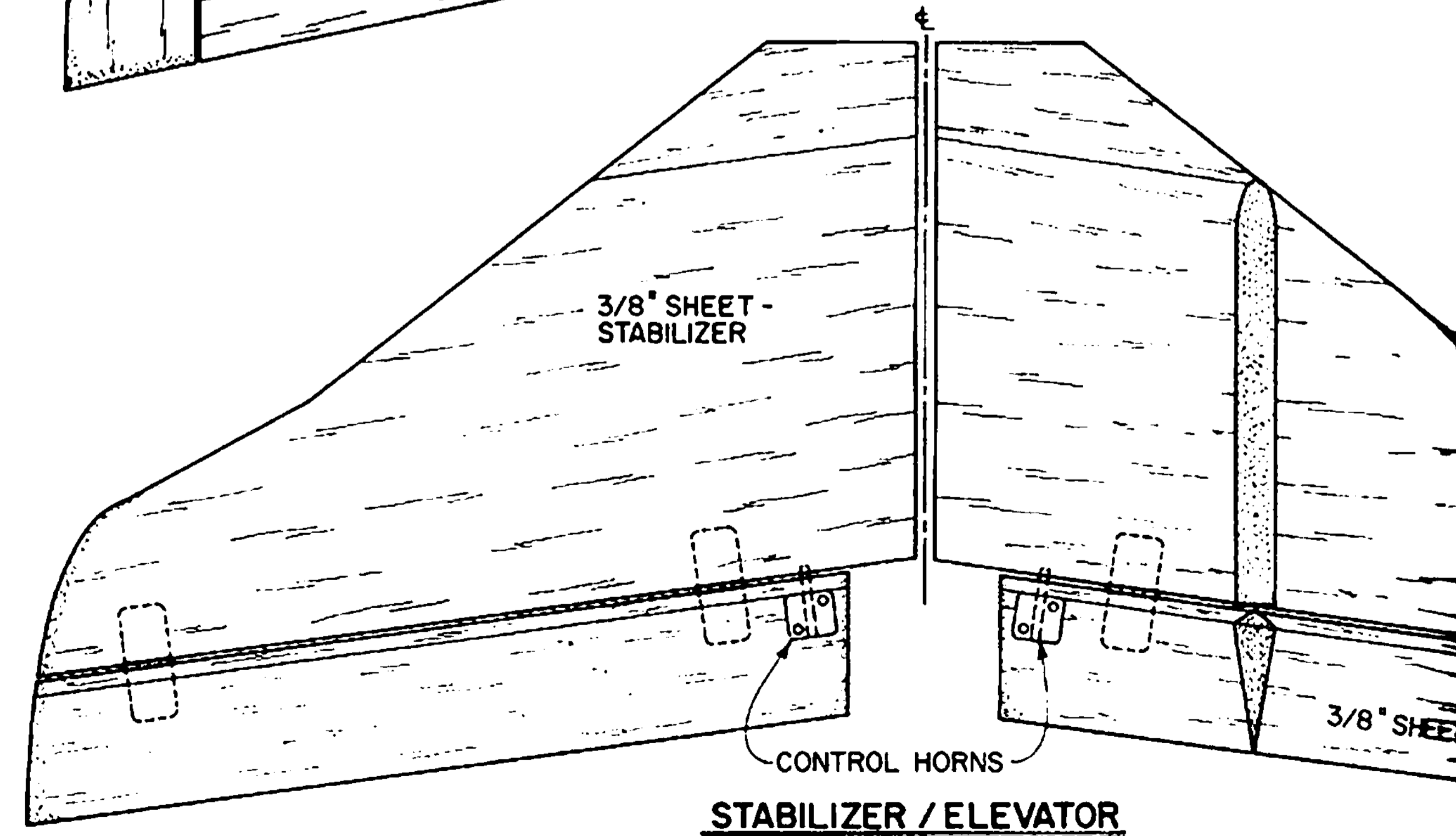
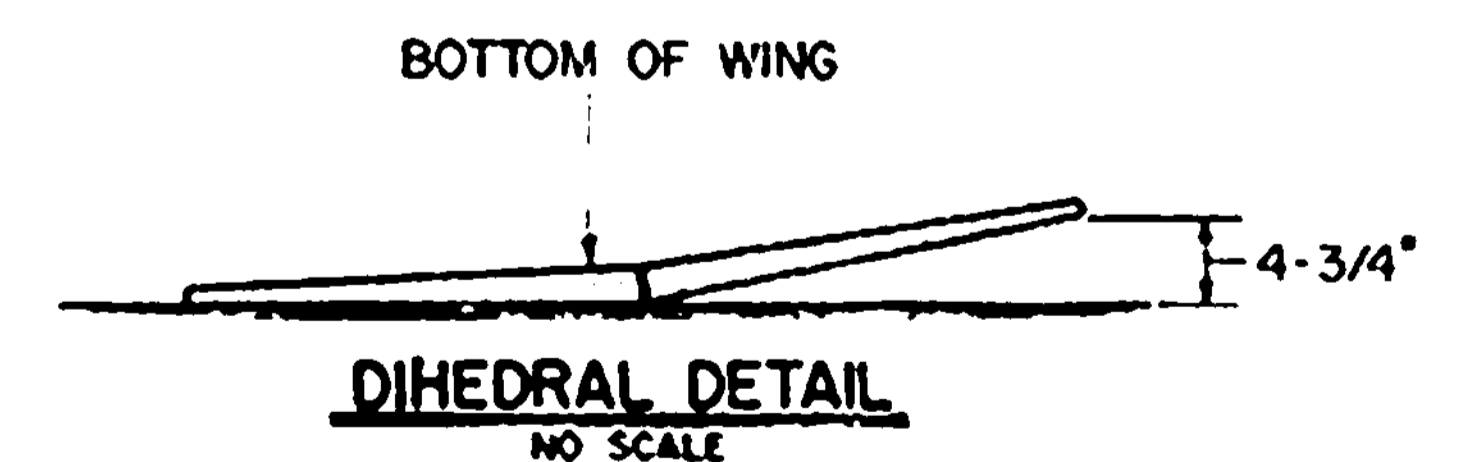
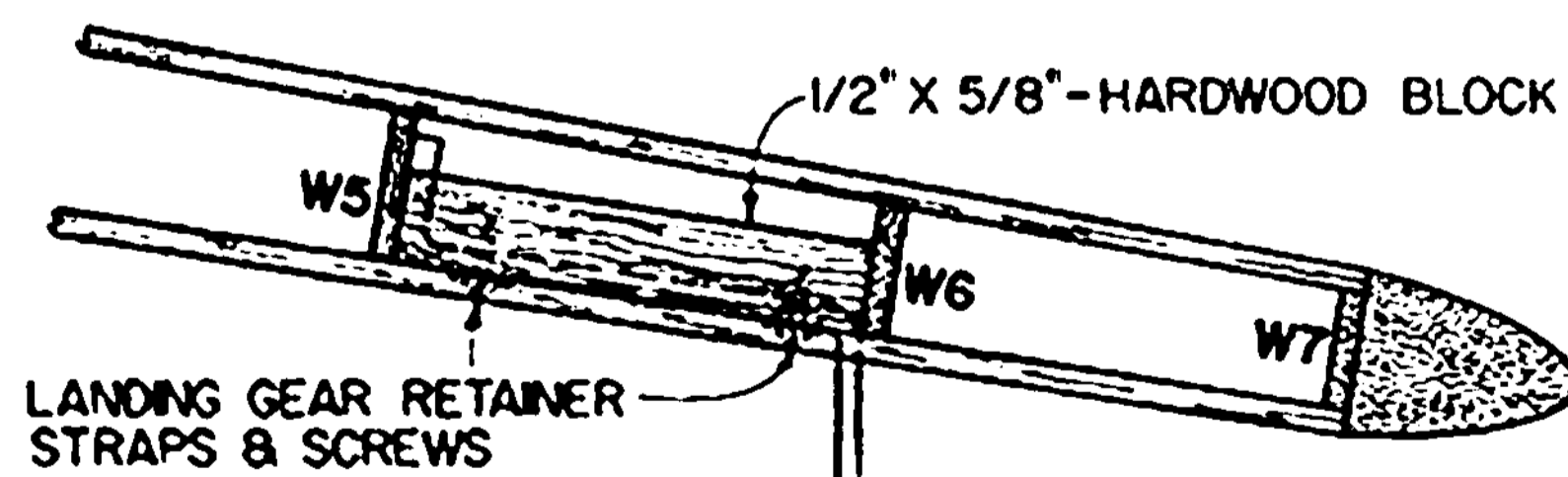
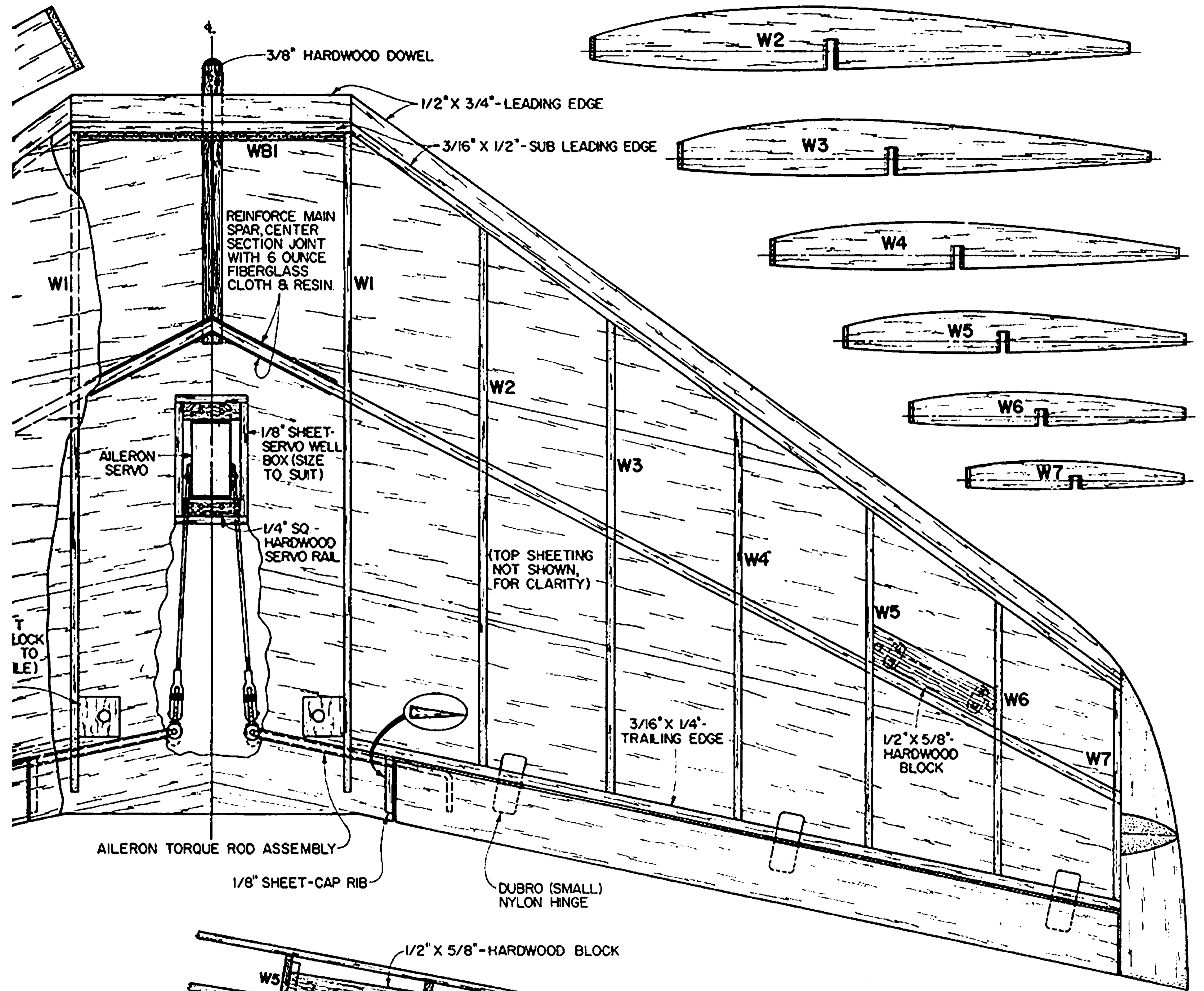
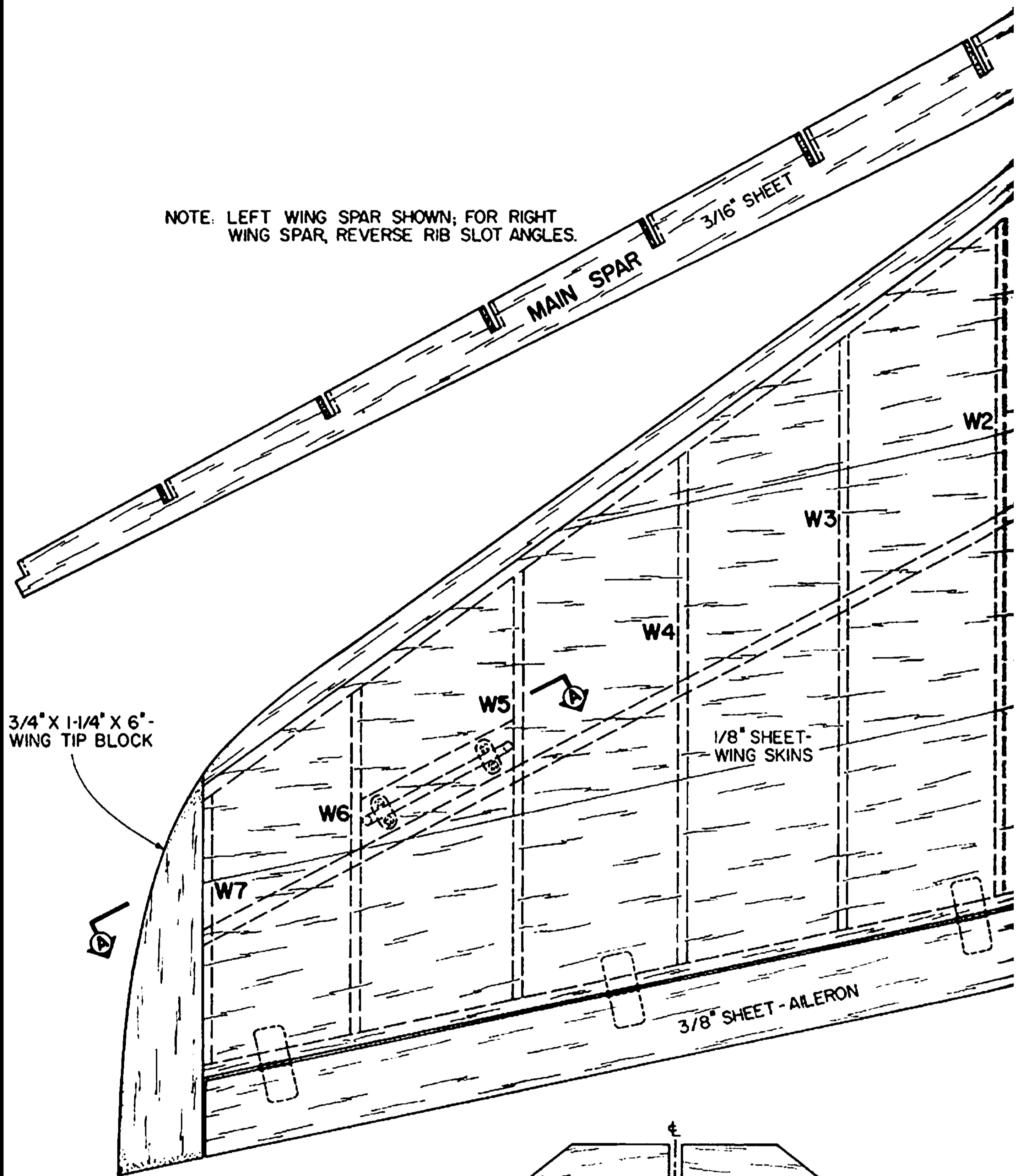
© RCM ALL COMMERCIAL RIGHTS RESERVED
PLAN NO. 907



NOTE: ALL WING RIBS ARE 1/8" SHEET, (2 OF EACH REQUIRED). LEFT WING RIBS ARE SHOWN; FOR RIGHT WING RIBS, REVERSE MAIN SPAR SLOT & RIB END ANGLES.



NOTE: LEFT WING SPAR SHOWN; FOR RIGHT WING SPAR, REVERSE RIB SLOT ANGLES.



H.E



SHEET 2 OF 2
HAWKER SIDDELEY HARRIER
 A 40 POWERED SPORT SCALE DESIGN
 DESIGNED & DRAWN BY PAVEL BOSAK
 PLANS BY Bob Wallace
 0 1 2 3 4 5 6
 © PCM ALL COMMERCIAL RIGHTS RESERVED
PLAN NO. 907