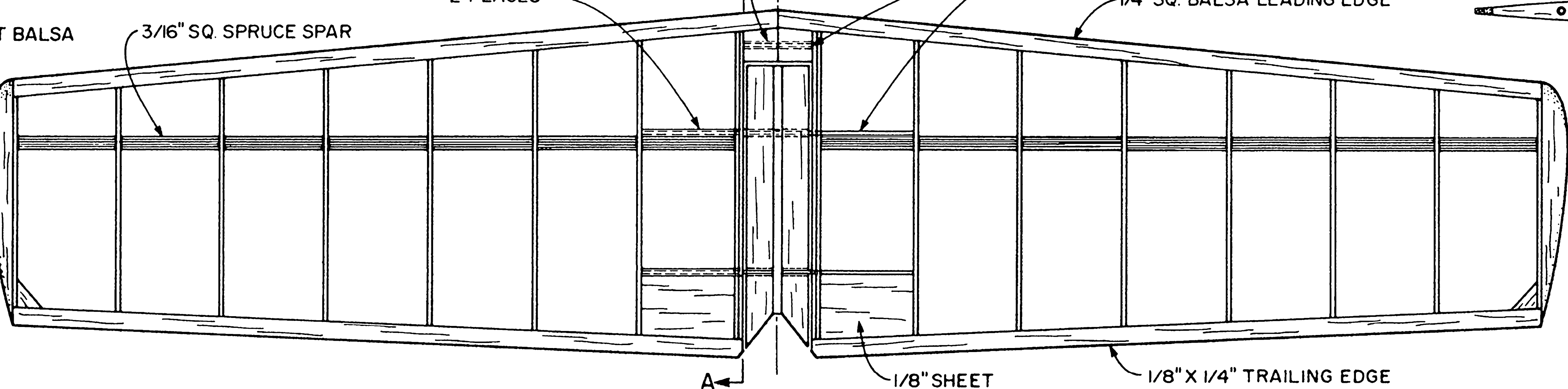
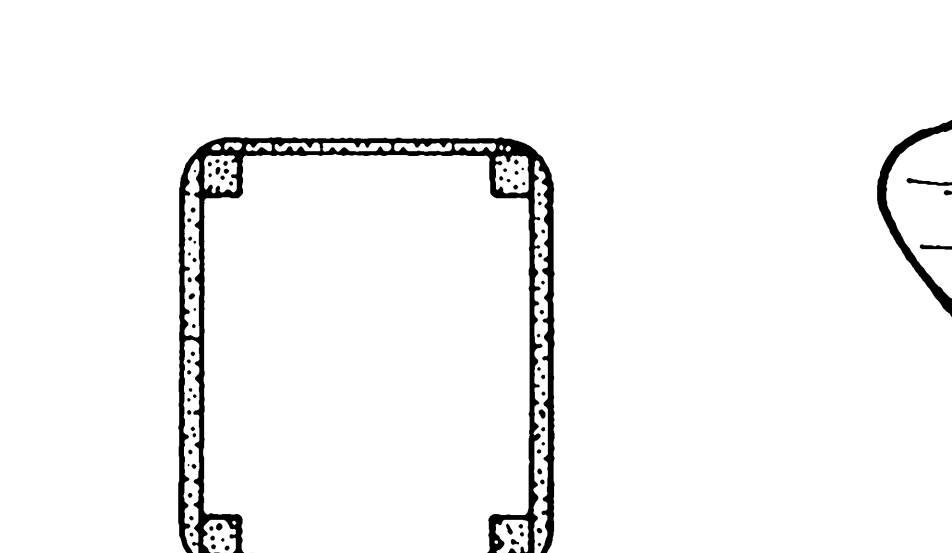
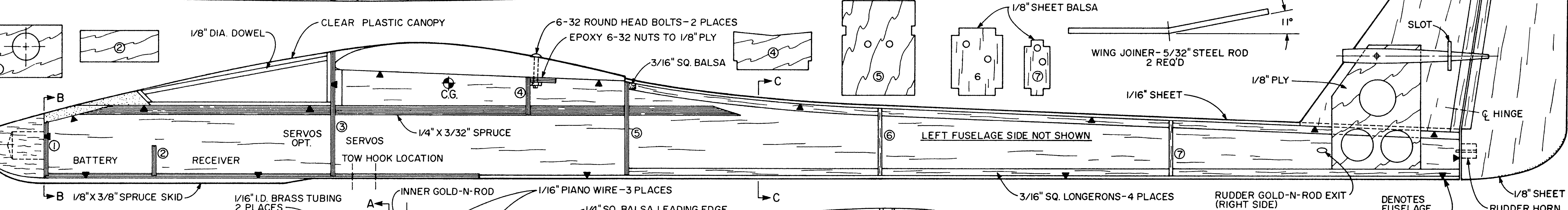
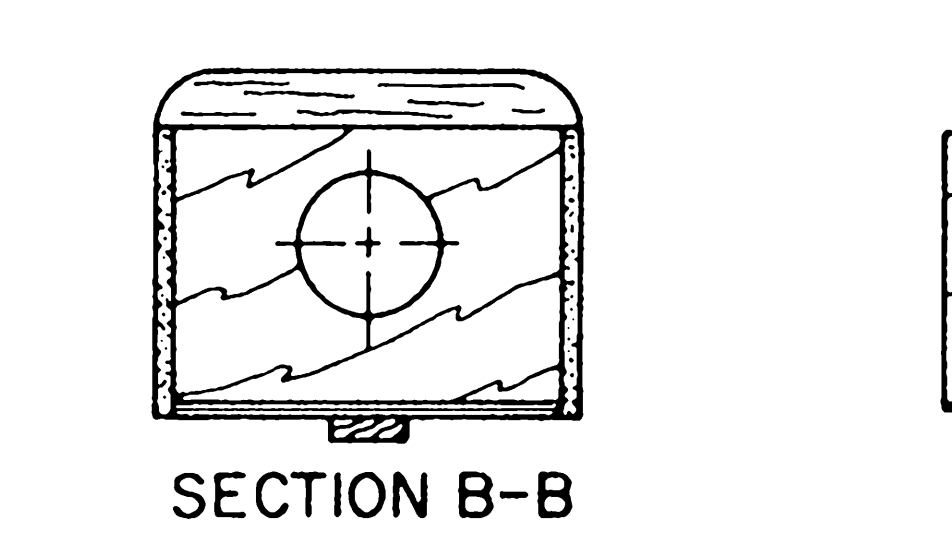
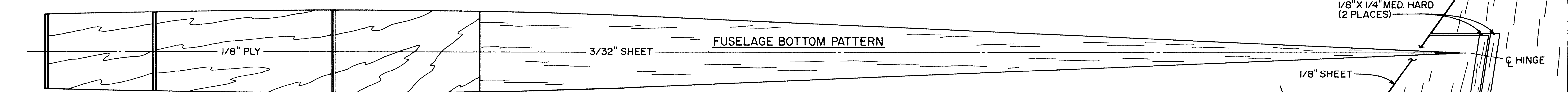
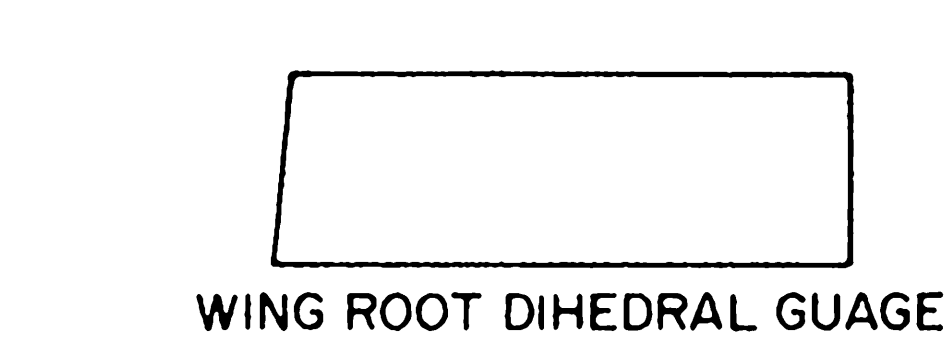
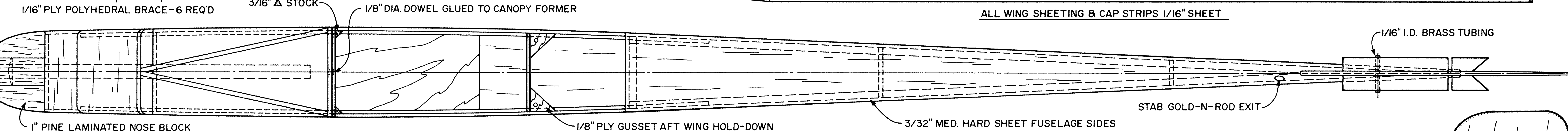


- RIBS - 1/16" SHEET
- ① 1/16" PLY - 2 REQ'D
  - ② 8 REQ'D
  - ③ 10 REQ'D
- SANDWICH 7 RIB BLANKS BETWEEN TEMPLATES OF RIBS 3 & 4 FOR EACH OUTBOARD WING PANEL.



- NOTES:
1. ALL MATERIAL NOT SPECIFIED IS BALSA.
  2. BULKHEADS & FORMERS 1 THRU 5 ARE 3/32" PLY.
  3. AIRFOIL NACA 4309 MODIFIED.

SPECIFICATIONS	
WING SPAN.....	85-1/2 IN.
WING AREA.....	610 SQ. IN.
LENGTH.....	43-3/4 IN.

DESIGNED & DRAWN BY ERROLL WILLIAMS

INKED BY DICK KIDD

© RCM ALL COMMERCIAL RIGHTS RESERVED

**HAPPY FACE**

PLAN NO. 659