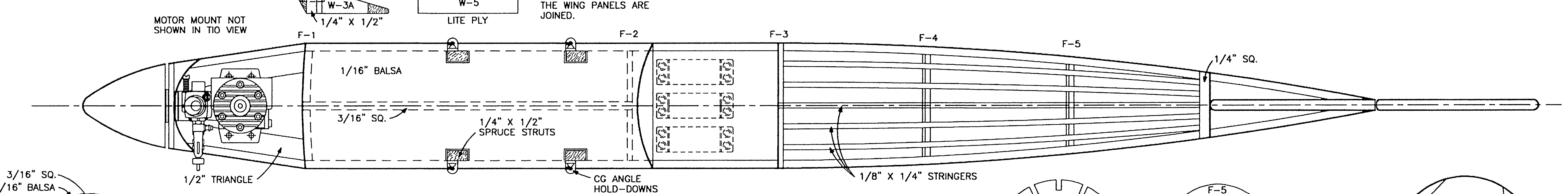
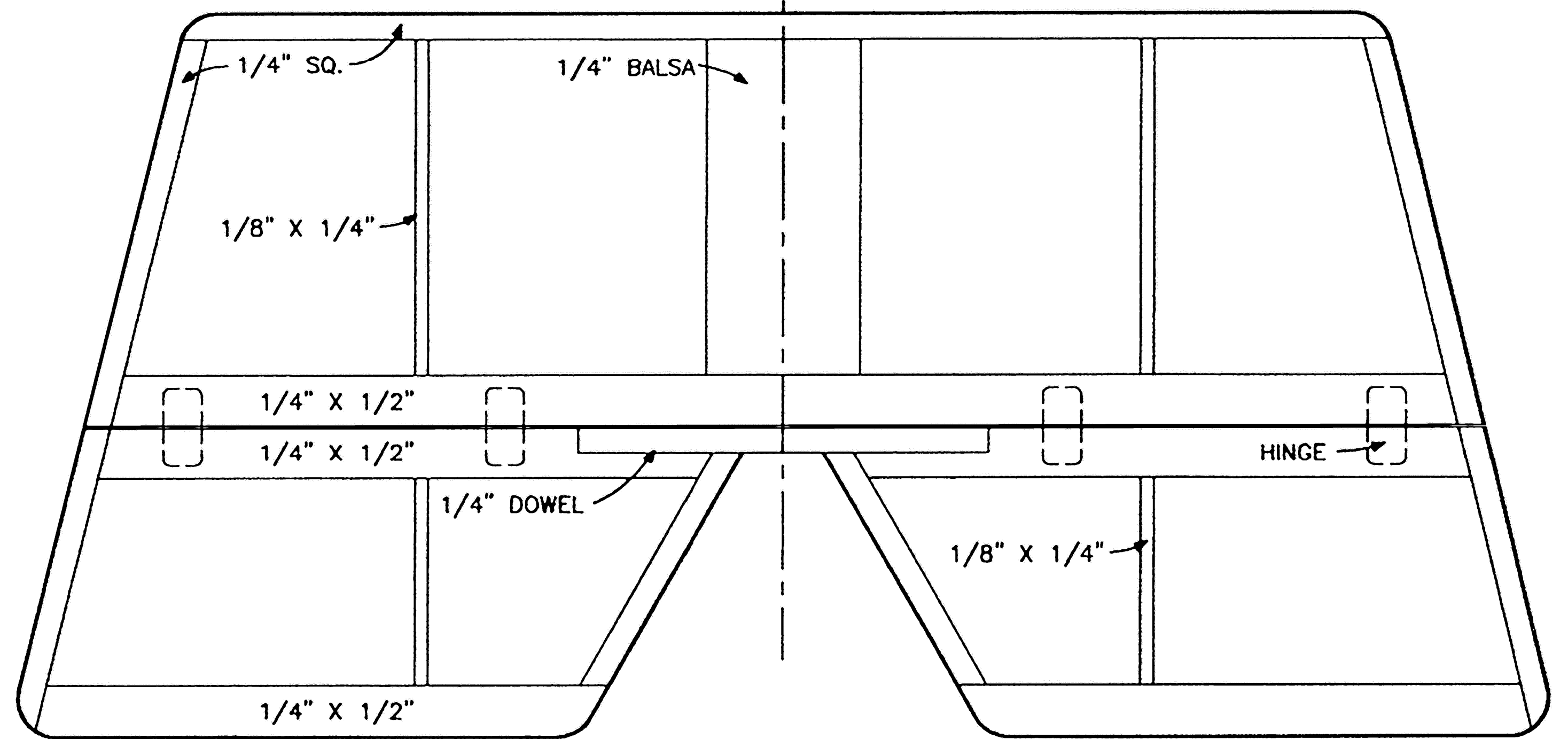
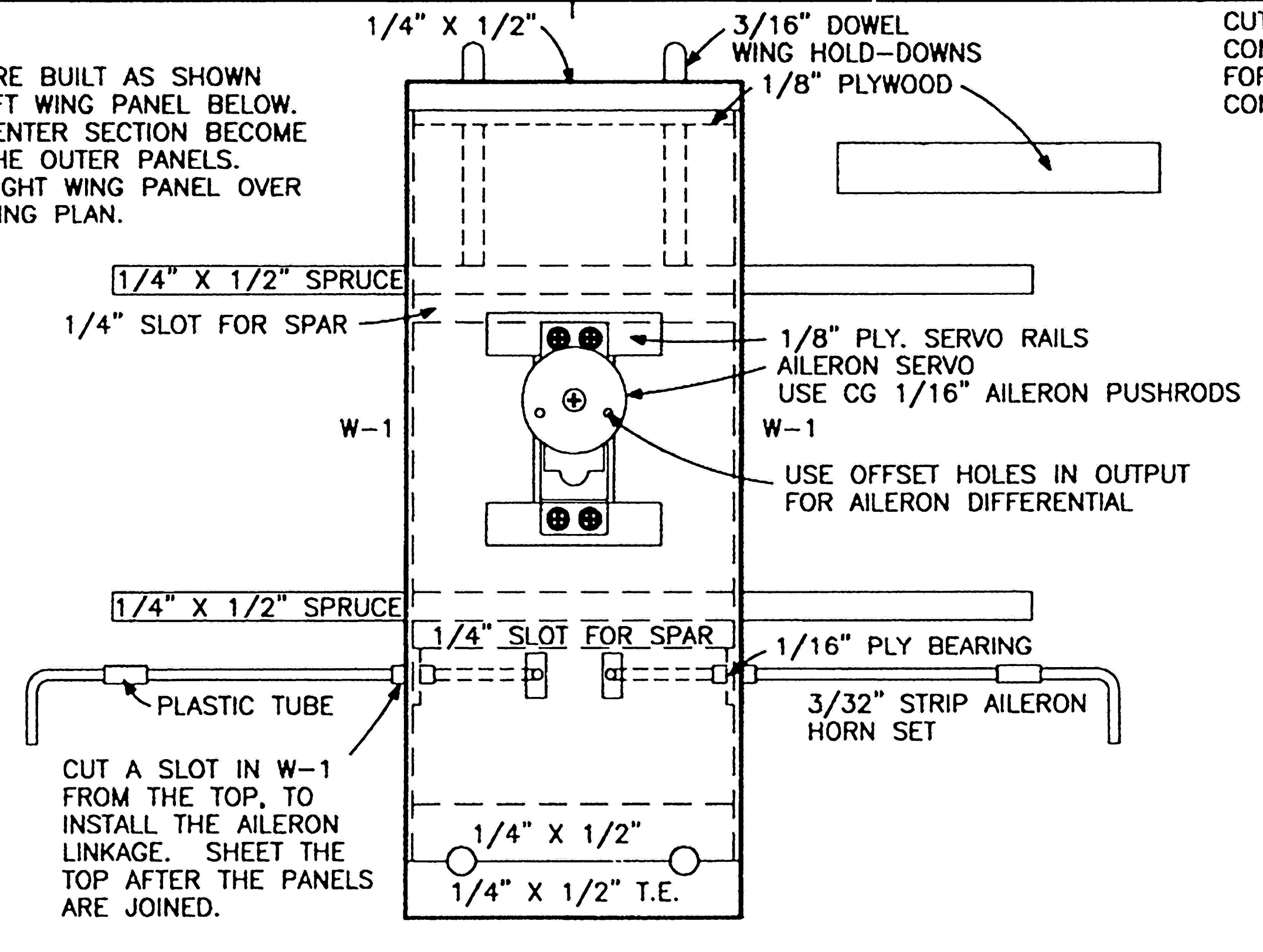
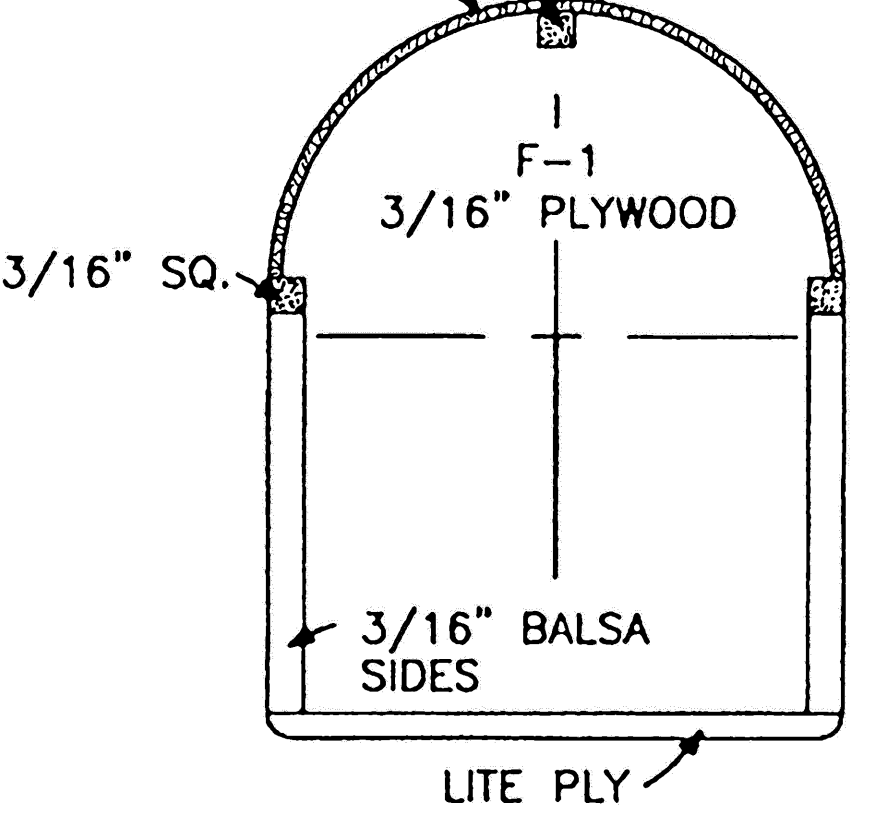


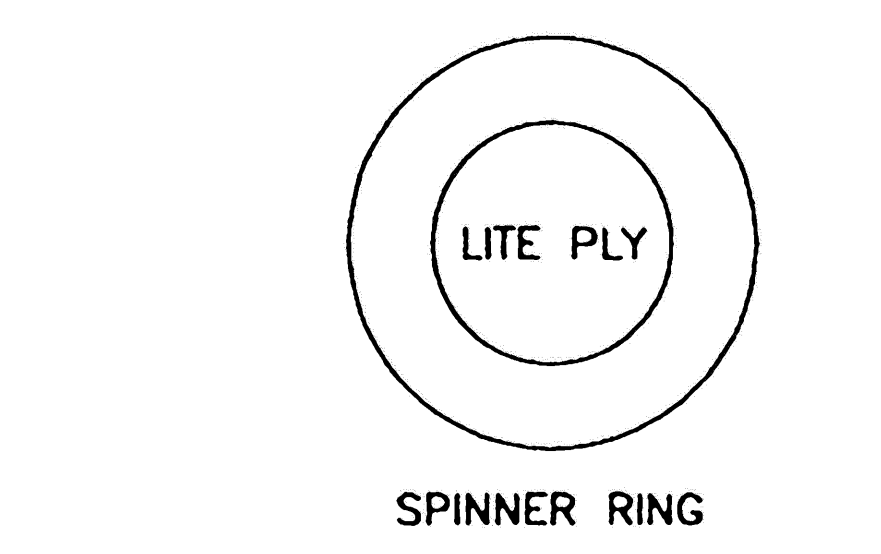
THE WING PANELS ARE BUILT AS SHOWN WITH THE LOWER LEFT WING PANEL BELOW. THE RIBS OF THE CENTER SECTION BECOME THE END RIBS OF THE OUTER PANELS. BUILD THE LOWER RIGHT WING PANEL OVER THE UPPER RIGHT WING PLAN.



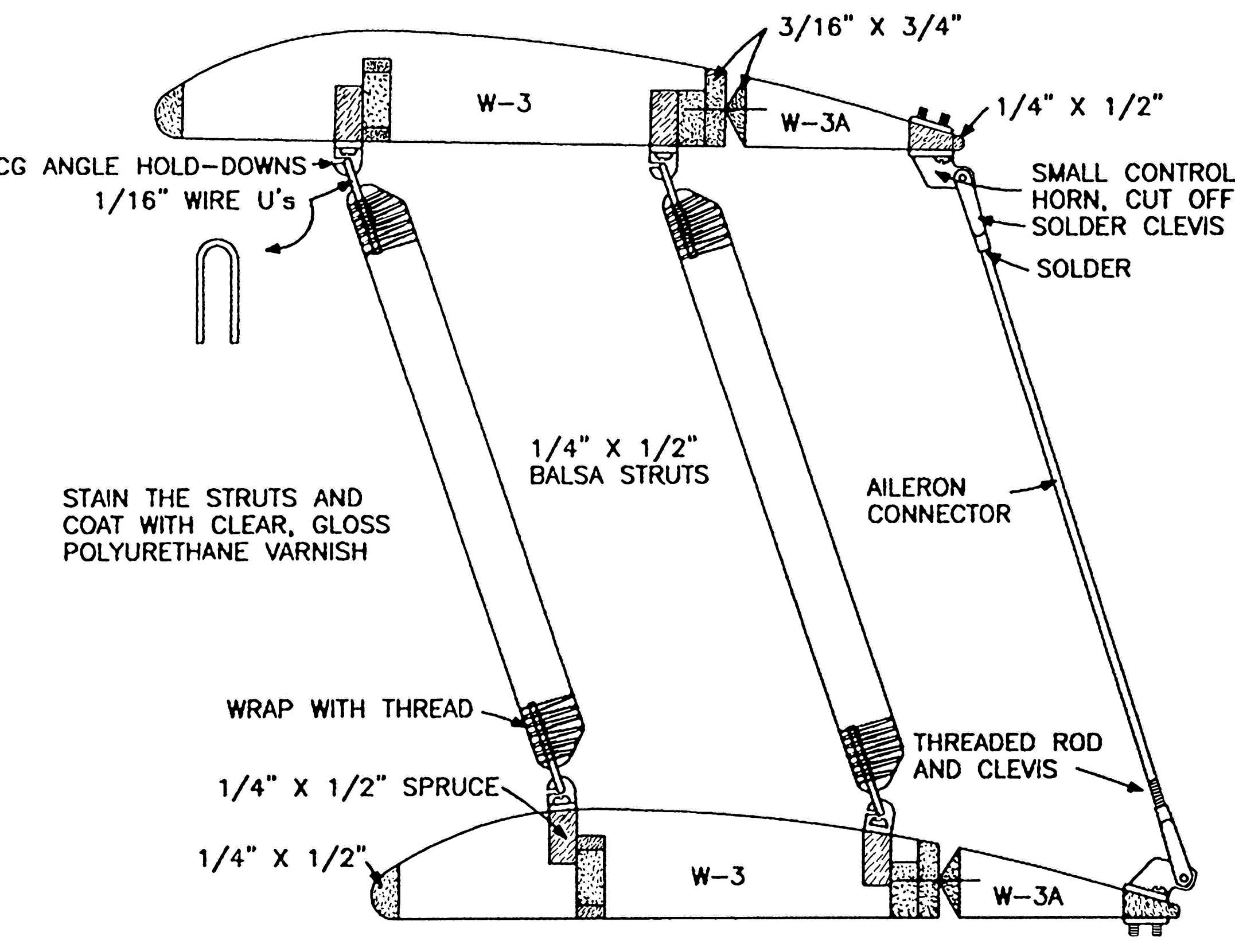
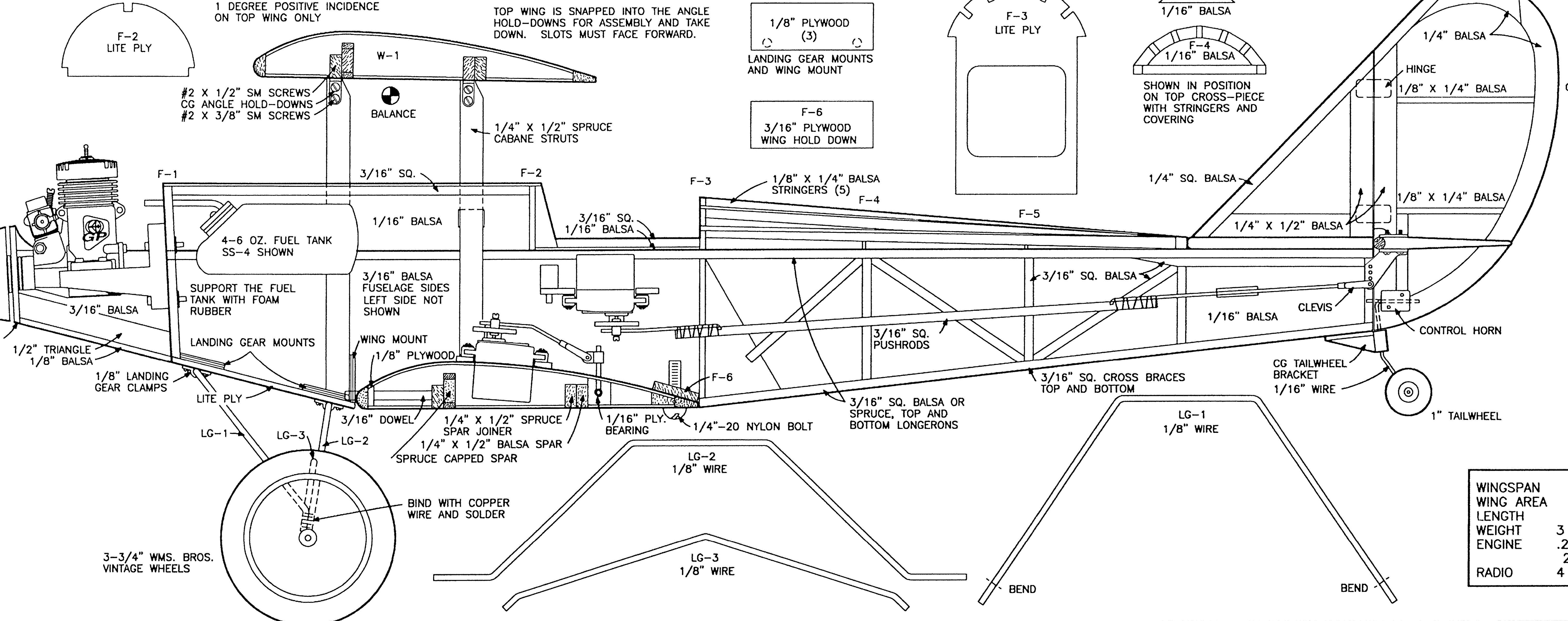
CONTROL MOVEMENT
 ELEVATOR 1/2" UP AND DOWN
 RUDDER 1-1/2" RT AND LEFT
 AILERONS 3/8" UP, 1/4" DOWN



ENGINE:
 19 TO 28 CU. IN.
 2 OR 4 CYCLE
 THUNDER TIGER 25
 SHOWN
 2" SPINNER
 3 DEGREES
 DOWNTHRUST
 DAVE BROWN 202L
 MOTOR MOUNT
 INSTALL WITH 4-40 BOLTS
 AND BLIND NUTS



SPINNER RING



WINGSPAN 39 IN.
 WING AREA 515 SQ. IN.
 LENGTH 35 IN.
 WEIGHT 3 TO 3-1/2 LBS.
 ENGINE .20-.28 CU. IN.
 2 OR 4 CYCLE
 RADIO 4 CHANNEL

©RCM ALL COMERCIAL RIGHTS RESERVED

GOLDEN OLDIE 20

DESIGNED AND DRAWN BY FRED REESE