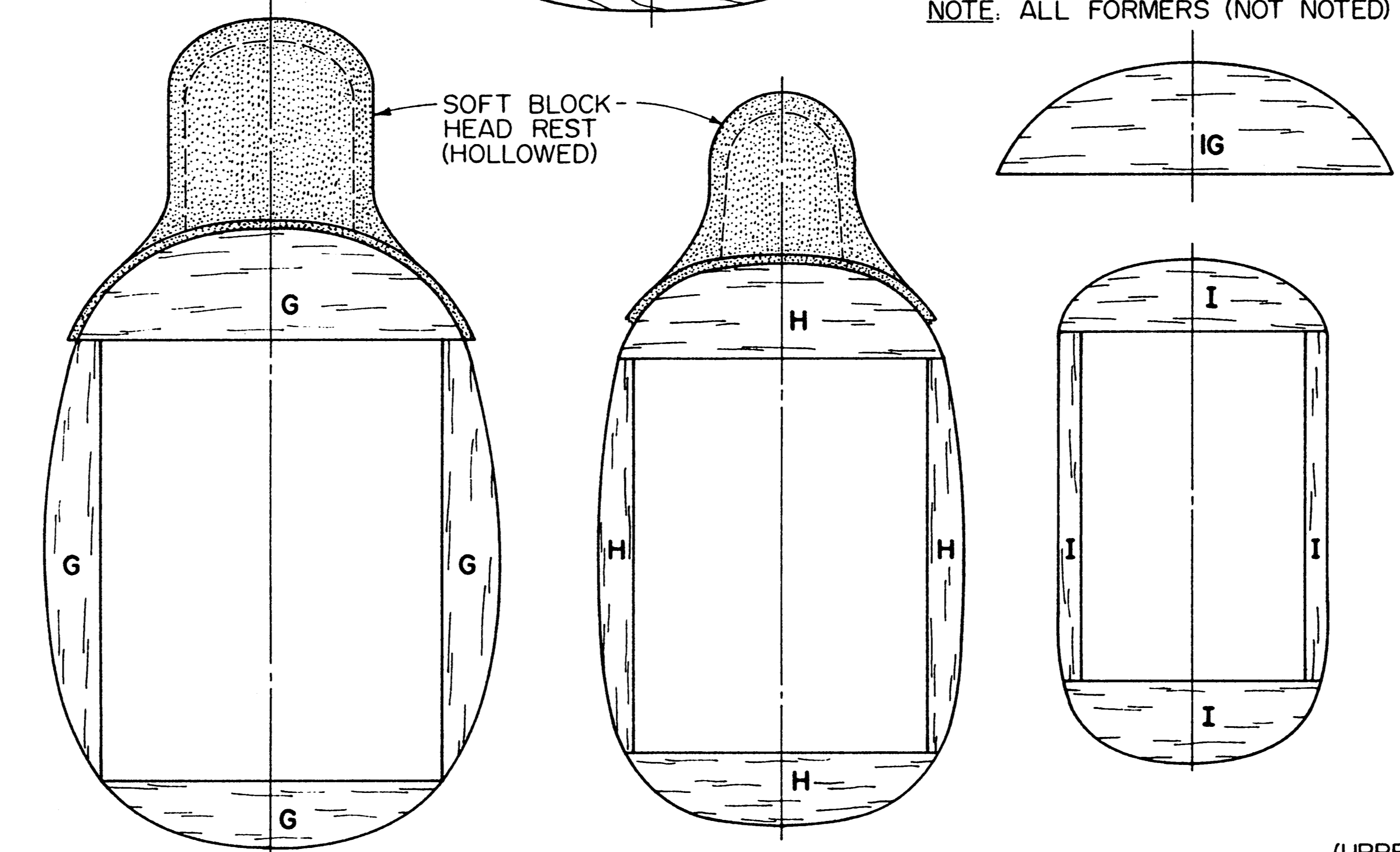
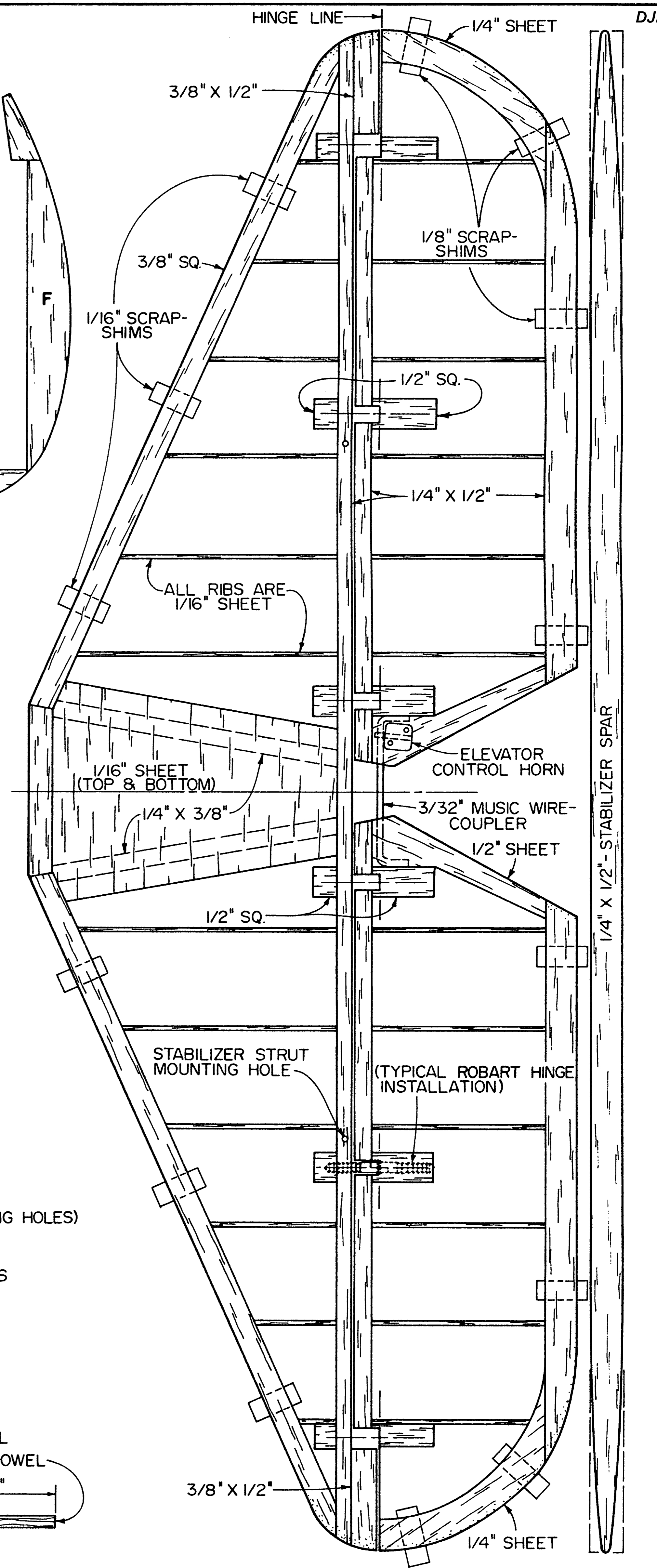


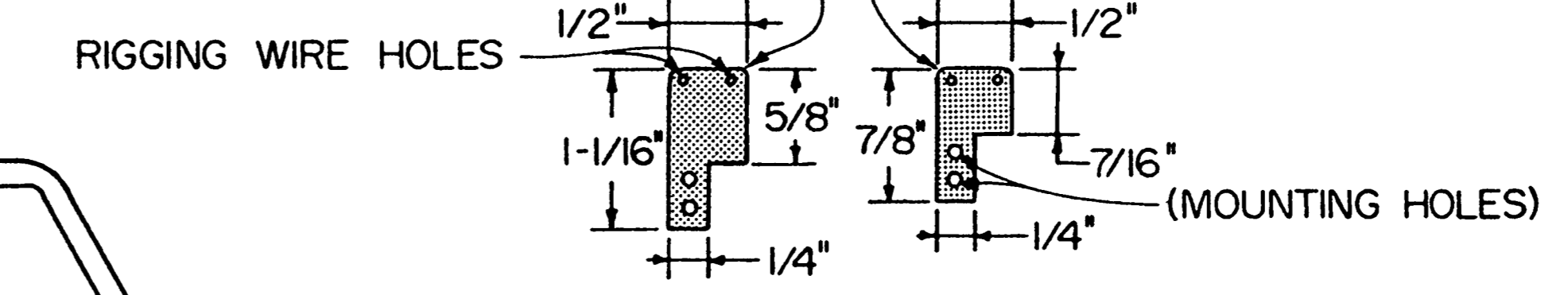
NOTE: ALL FORMERS (NOT NOTED) ARE 1/8" SHEET BALSA



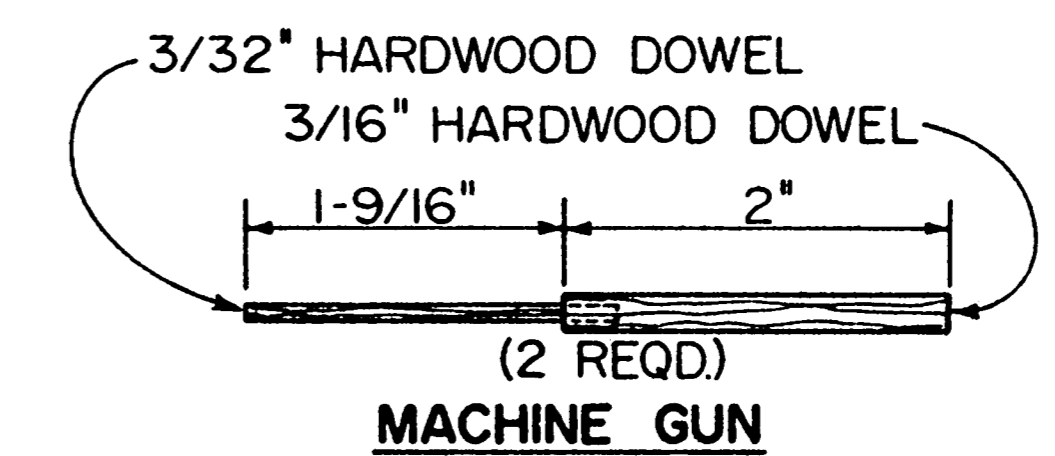
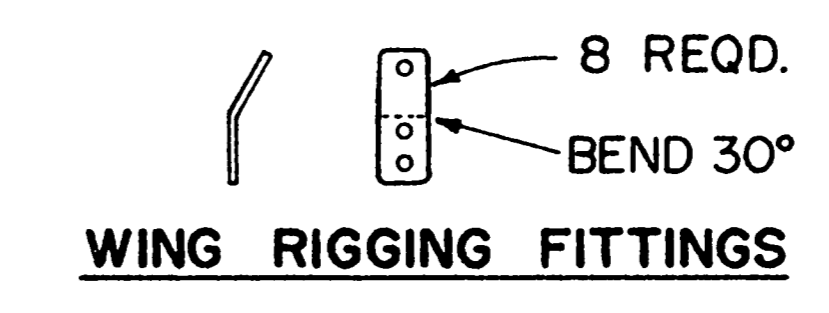
NOTE: SEE SHEET 1 FOR STABILIZER/ELEVATOR AIRFOIL SECTION.



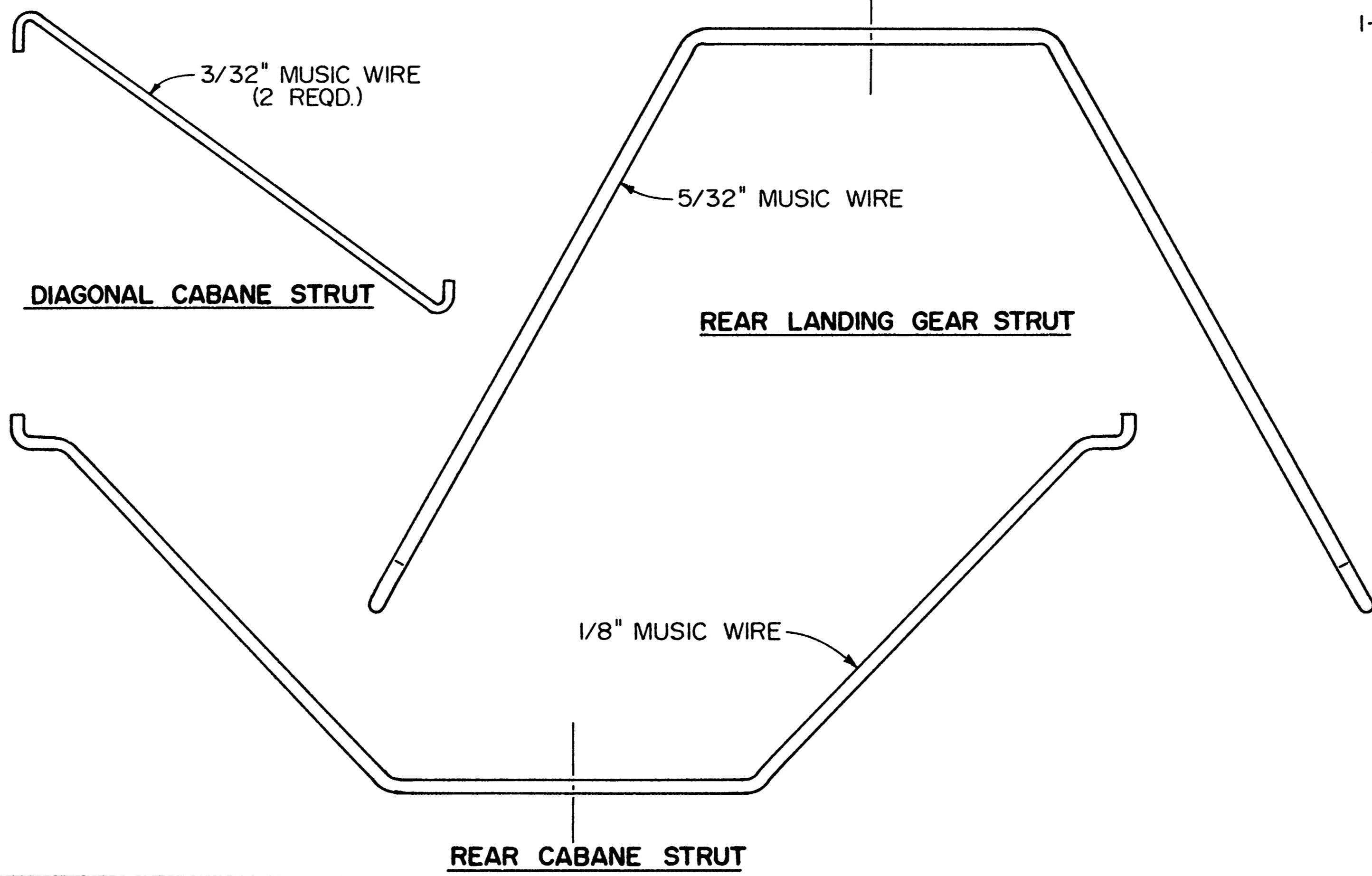
(UPPER & LOWER FRONT FUSELAGE-4 REQD.) (LOWER REAR FUSELAGE-2 REQD.)



NOTE: ALL FITTINGS ARE .025 BRASS



NOTE: FABRICATE STABILIZER STRUTS FROM K & S 1/4" STREAMLINE ALUMINUM TUBING OR SPRUCE.



© ALL COMMERCIAL RIGHTS RESERVED

BOEING F4B-4

A 1/6 SCALE BIPLANE FIGHTER

DESIGNED & DRAWN BY BOB RICH

PLANS BY Bob Wallace

