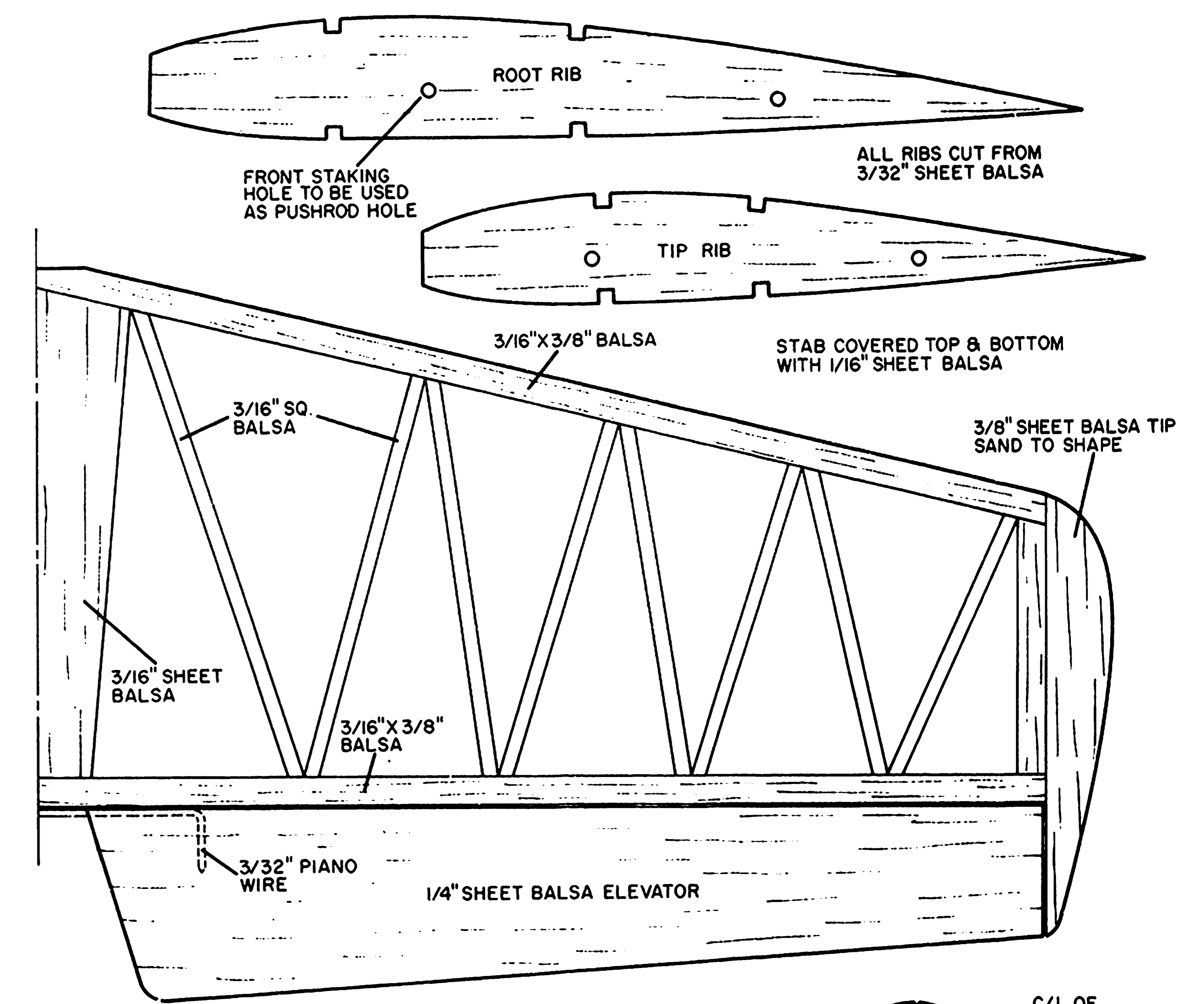
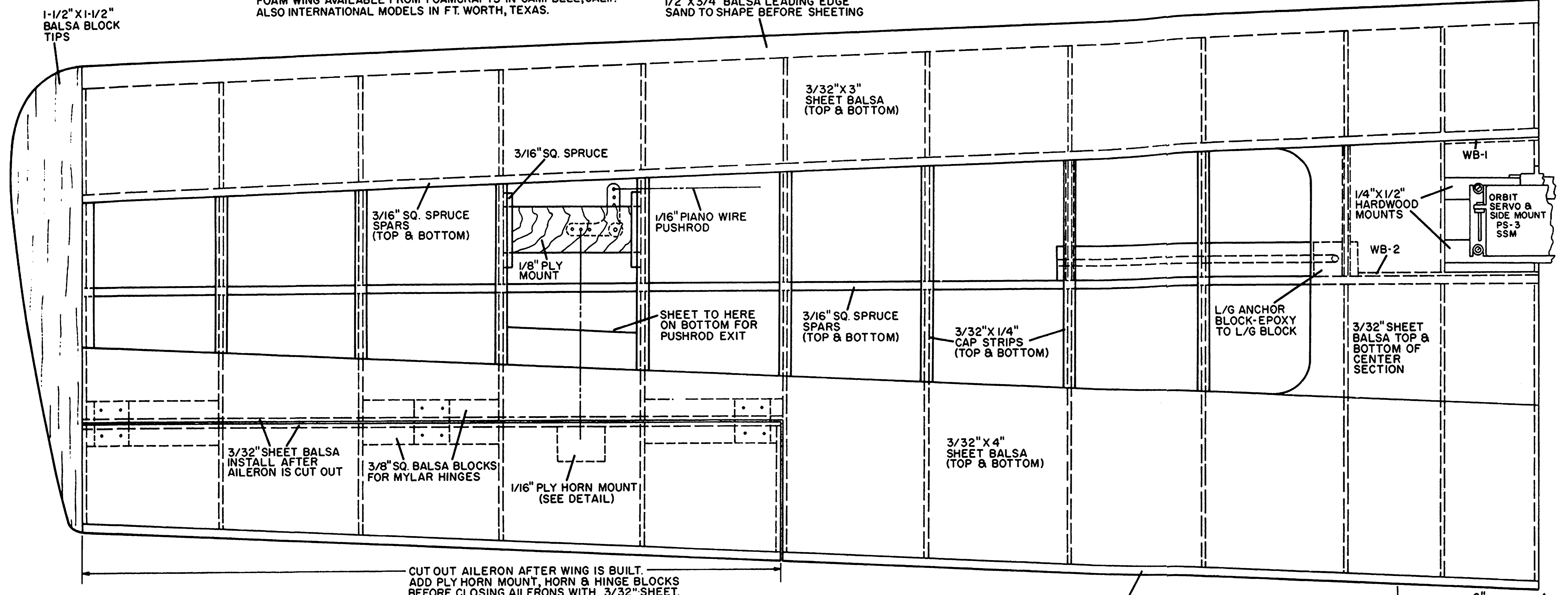


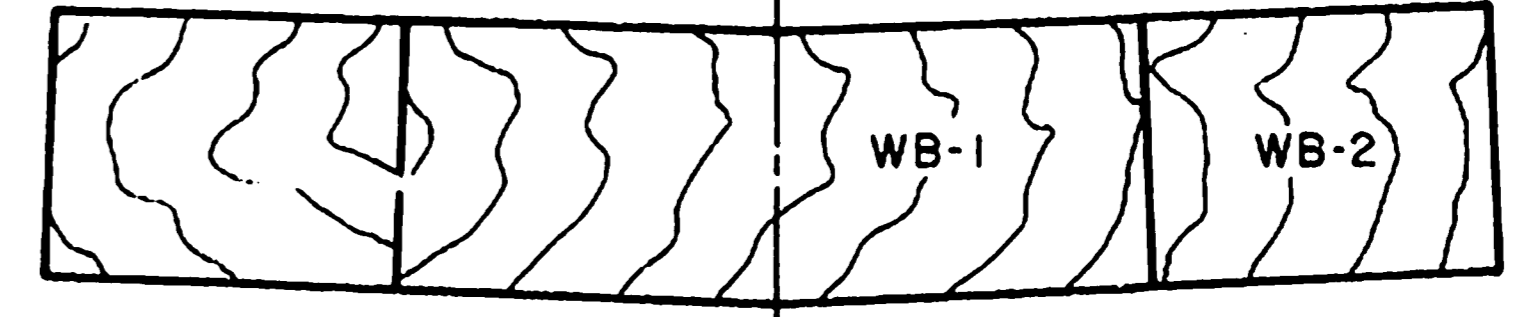
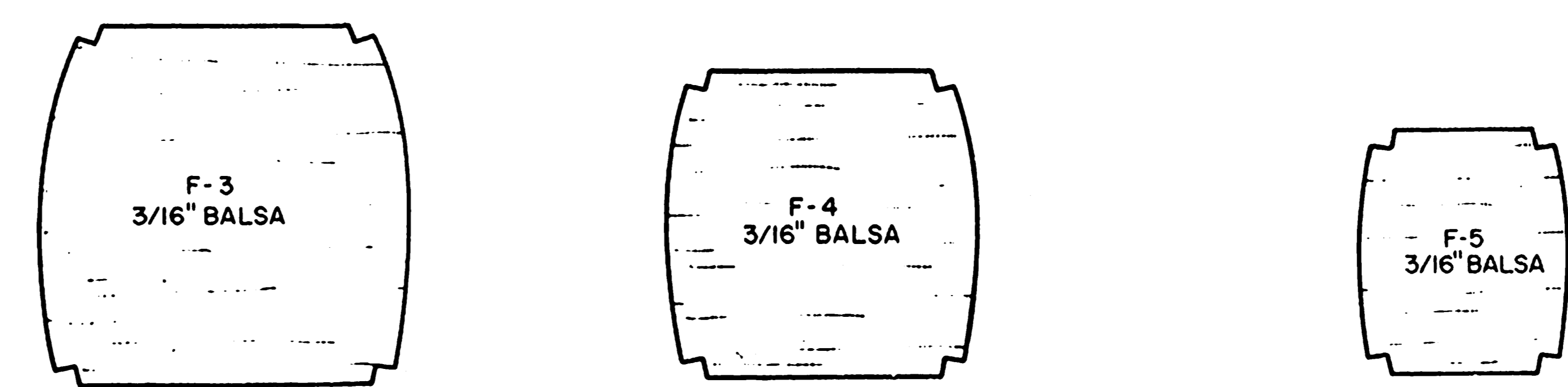
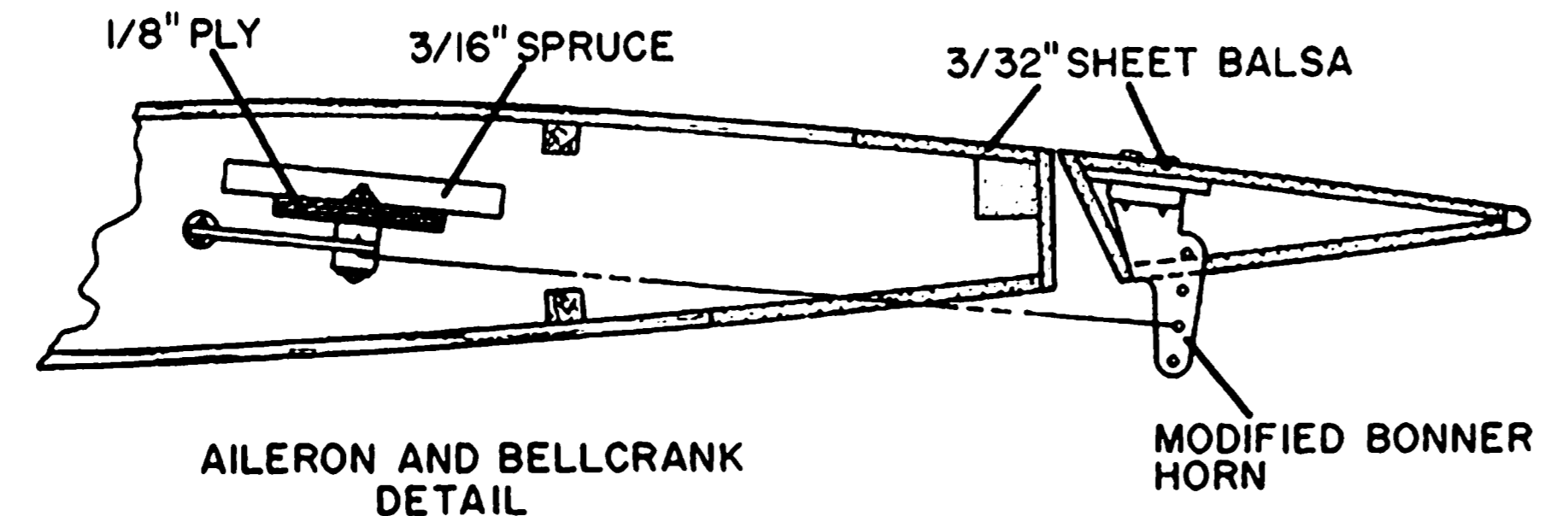
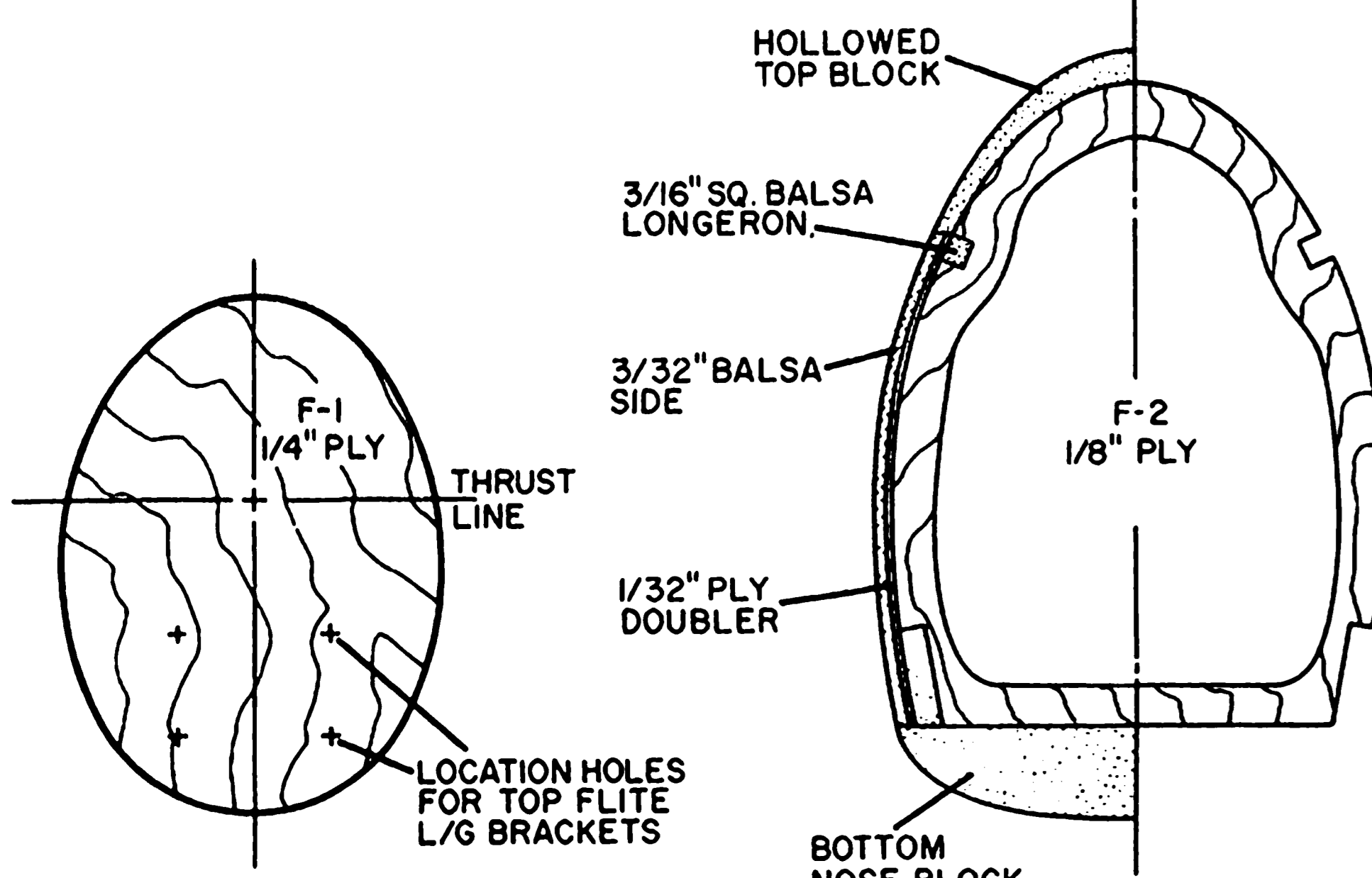
FOAM WING AVAILABLE FROM FOAMCRAFTS IN CAMPBELL, CALIF.
ALSO INTERNATIONAL MODELS IN FT. WORTH, TEXAS.

1/2" X 3/4" Balsa Leading Edge
SAND TO SHAPE BEFORE SHEETING

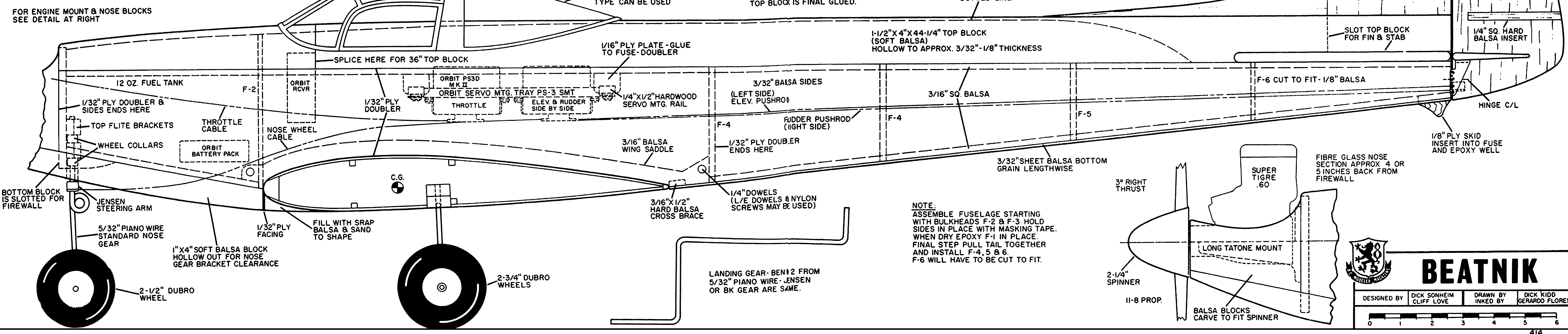


CUT OUT AILERON AFTER WING IS BUILT. ADD PLY HORN MOUNT, HORN & HINGE BLOCKS BEFORE CLOSING AILERONS WITH 3/32" SHEET.

3/16" SQ. Balsa T.E. SAND TO SHAPE
 FIBRE GLASS ENTIRE CENTER SECTION



BULKHEAD TEMPLATES & SIDE VIEW OF FUSELAGE WILL NOT MATCH. FUSELAGE HAS BEEN SHOWN FOR CORRECT TEMPLATE FOR SIDE & DOUBLER. IT IS APPROX. 3/16" LARGER



NOTE: ASSEMBLE FUSELAGE STARTING WITH BULKHEADS F-2 & F-3 HOLD SIDES IN PLACE WITH MASKING TAPE. WHEN DRY EPOXY F-1 IN PLACE. FINAL STEP PULL TAIL TOGETHER AND INSTALL F-4, 5 & 6. F-6 WILL HAVE TO BE CUT TO FIT.

BEATNIK
 DESIGNED BY DICK SONHEIM
 CLIFF LOVE
 DRAWN BY INKED BY
 DICK KIDD
 GERARDO FLORES
 0 1 2 3 4 5 6
 414