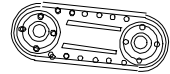


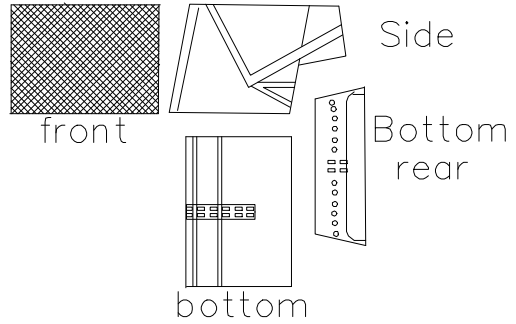
Split soda straw for machine gun trough

Cooling vanes from index card stock and tooth pick

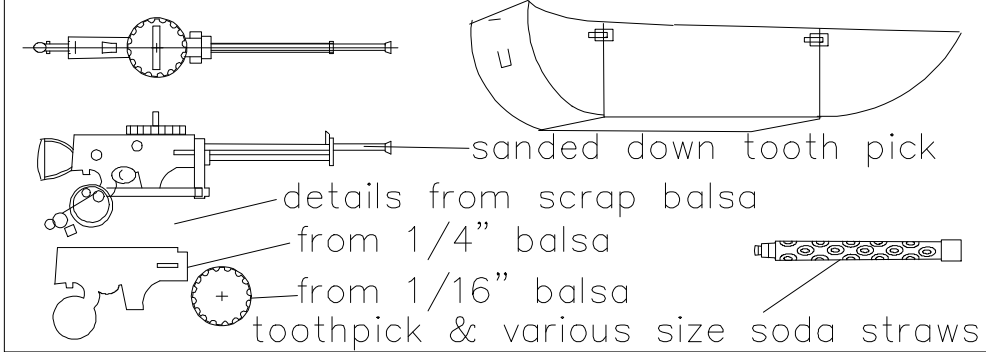


machine gun

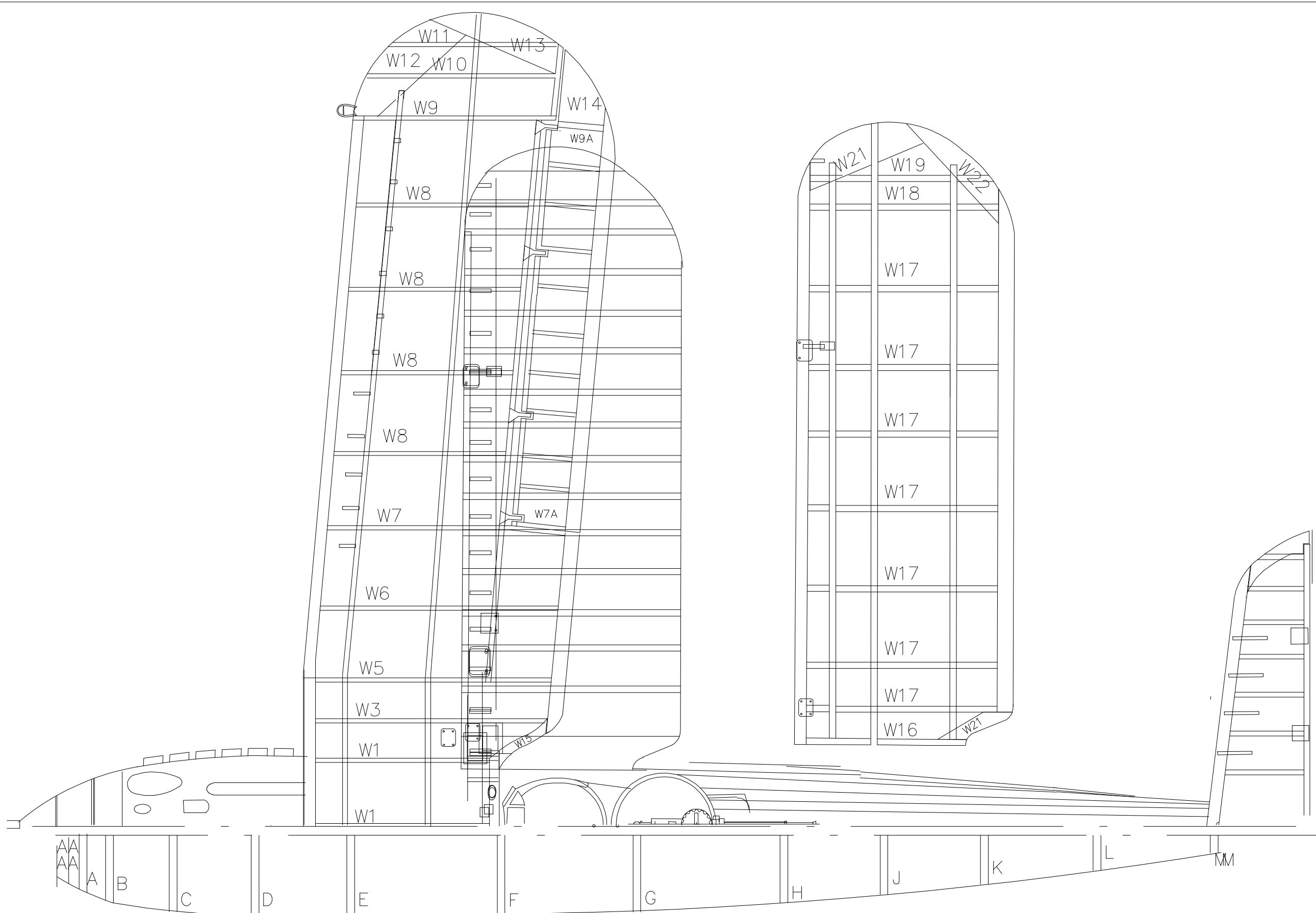
OIL COOLER



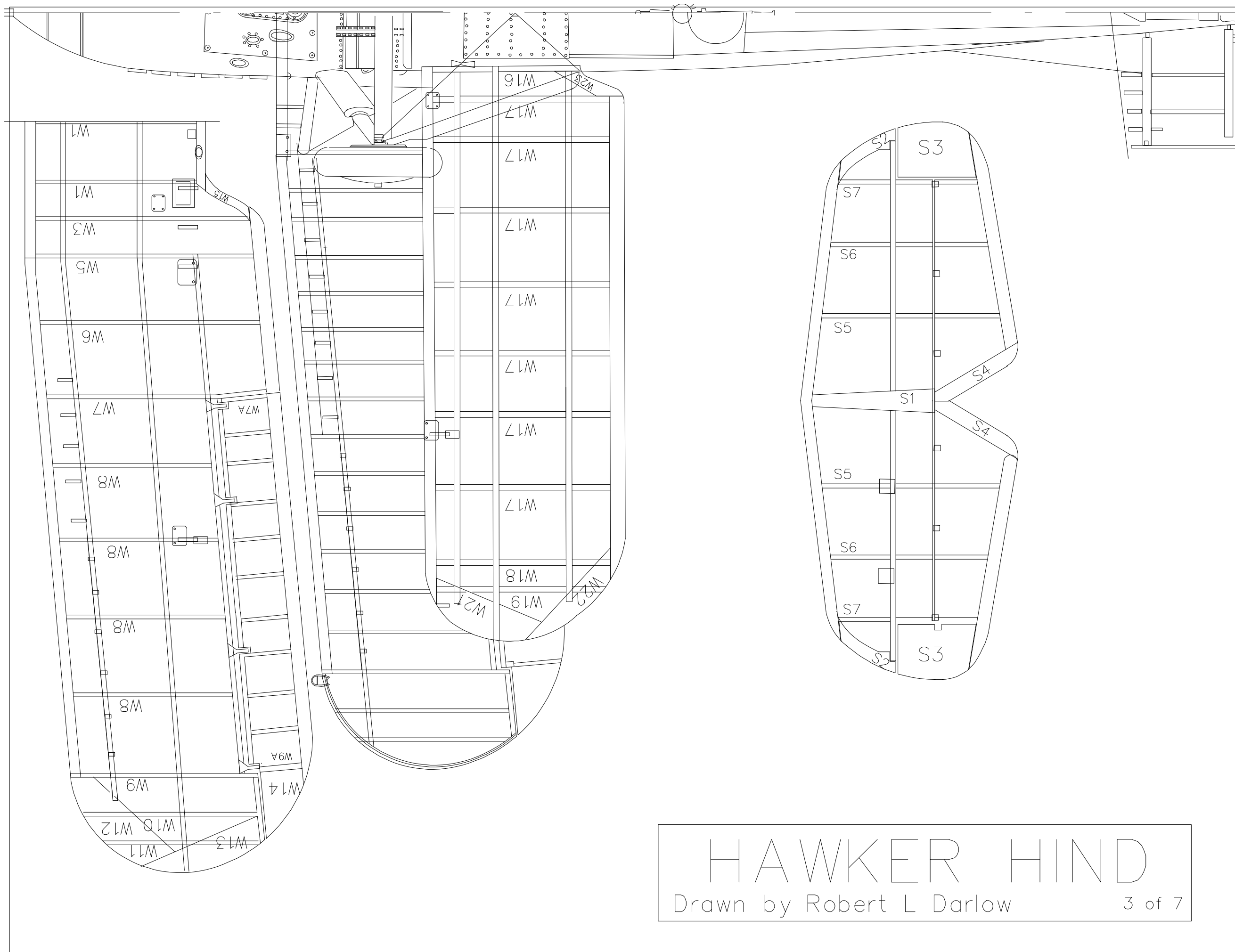
MACHINE GUNS



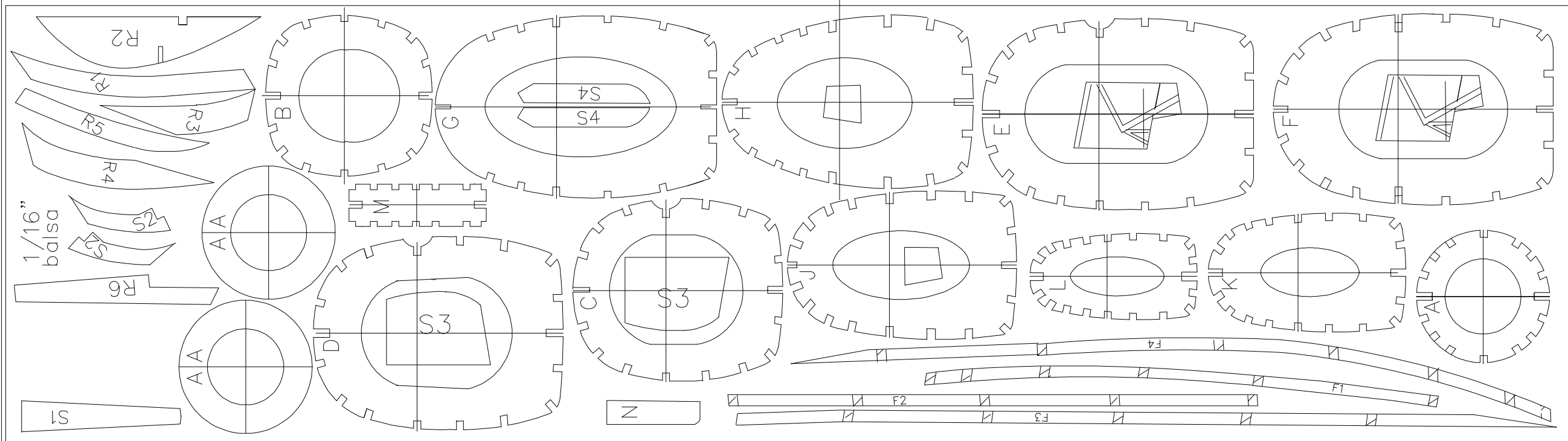
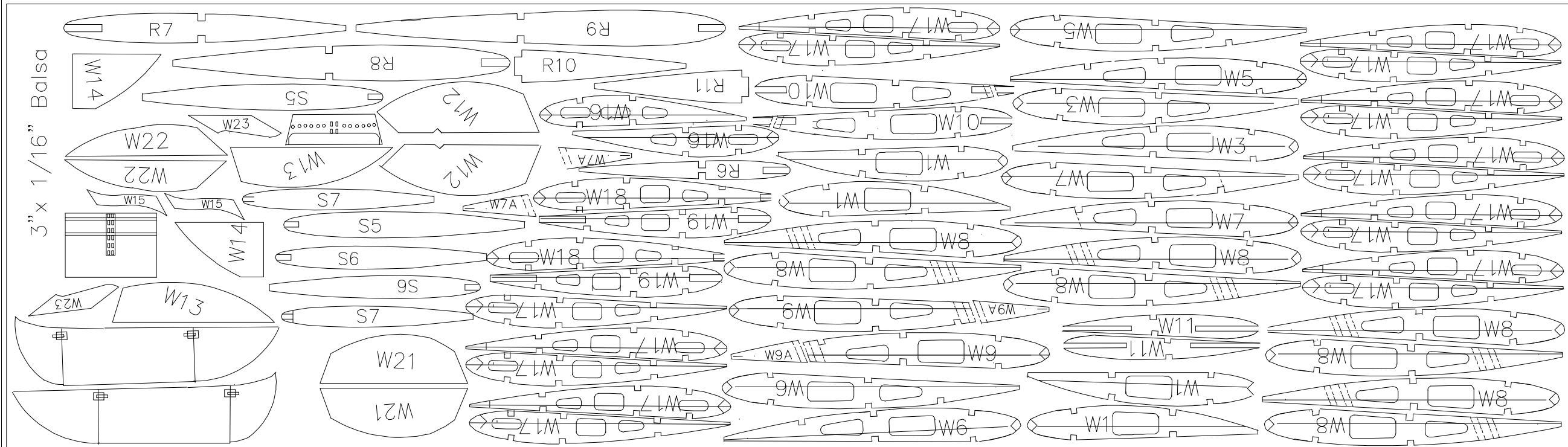
HAWKER HIND
 Drawn by Robert L Darlow 1 of 7



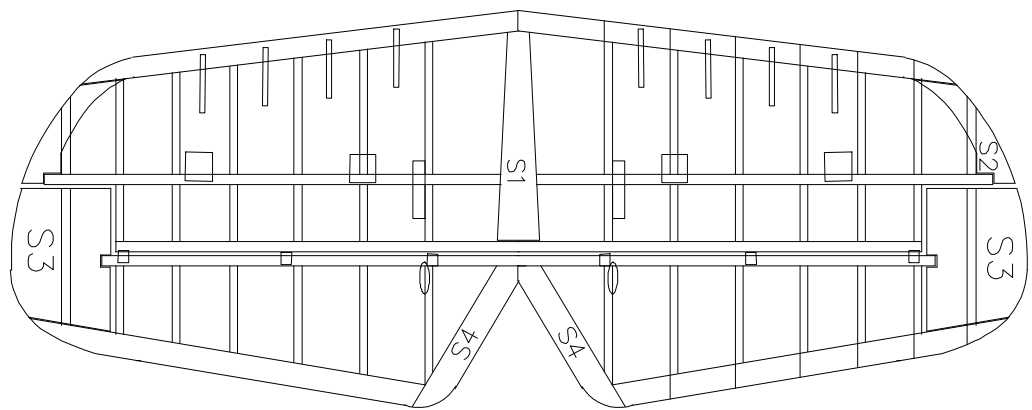
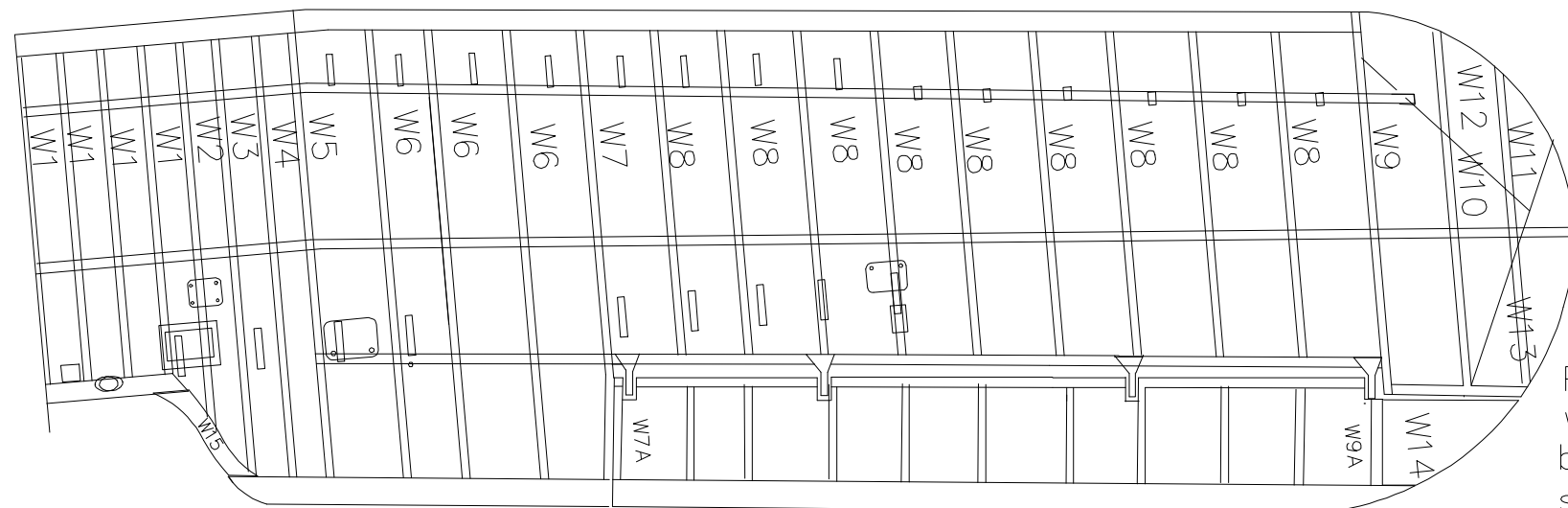
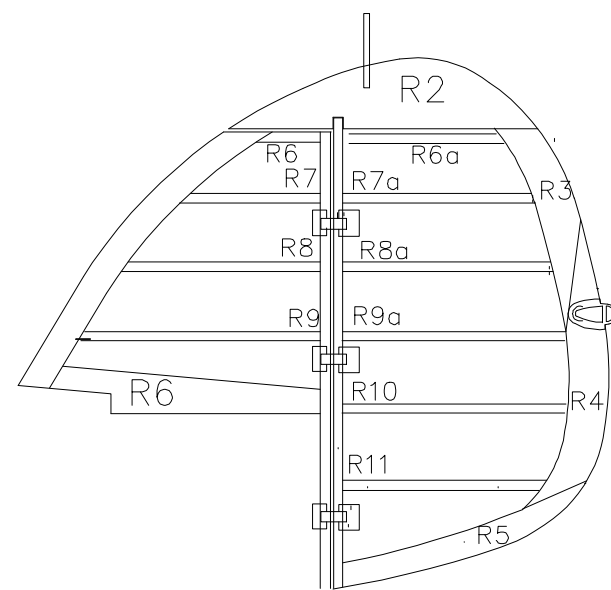
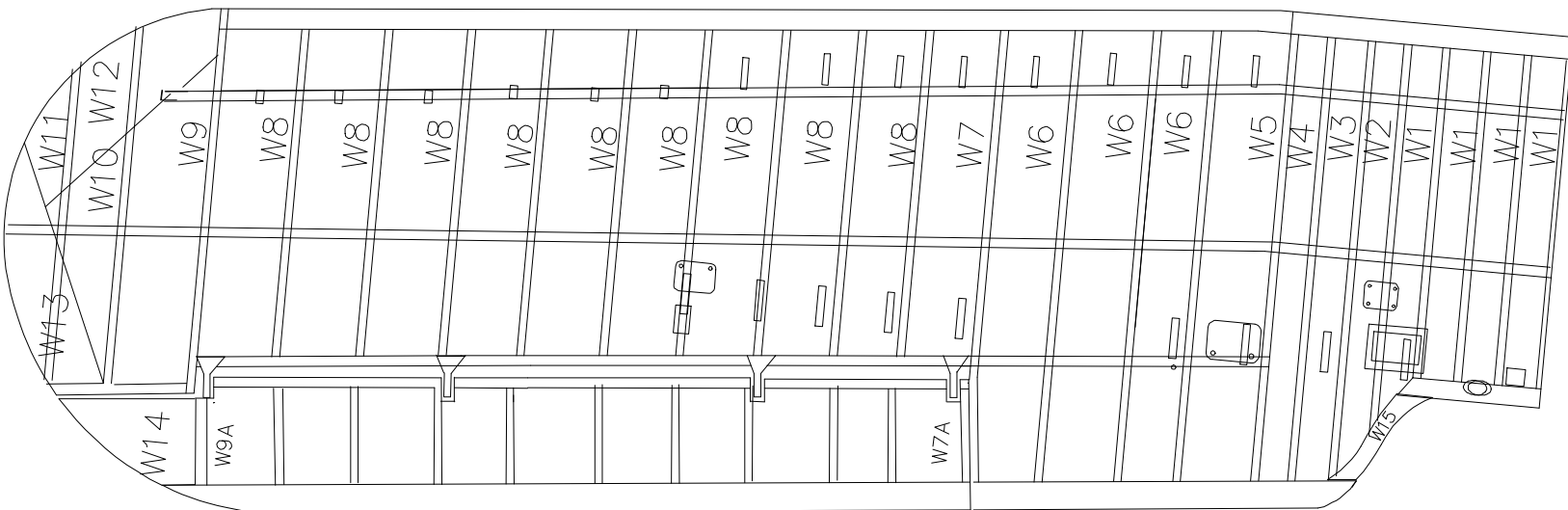
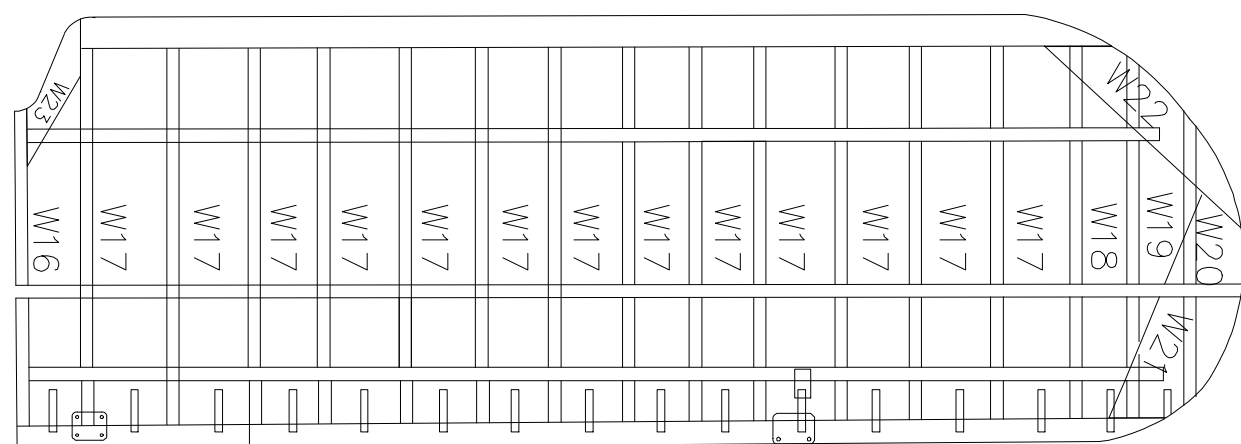
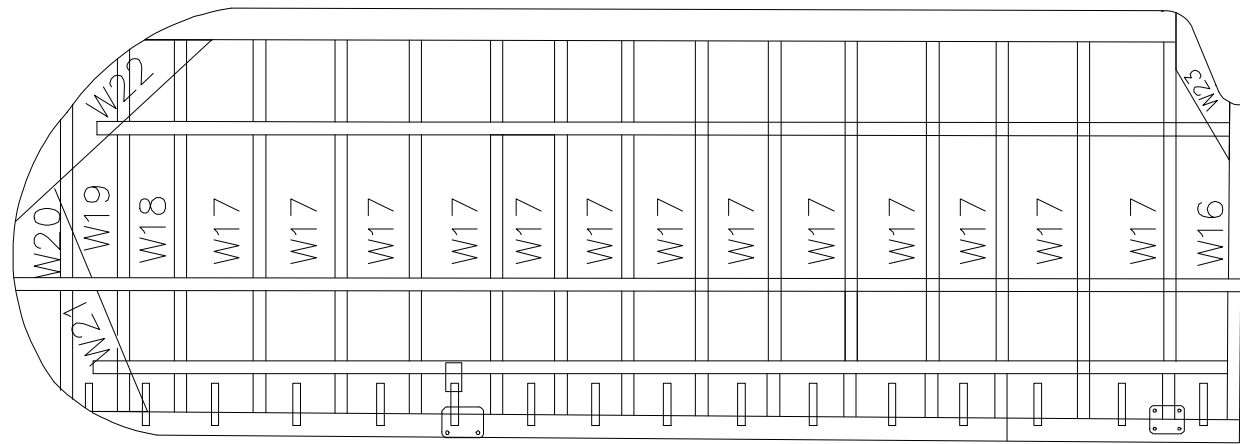
HAWKER HIND
 Drawn by Robert L Darlow 2 of 7



HAWKER HIND
 Drawn by Robert L Darlow 3 of 7

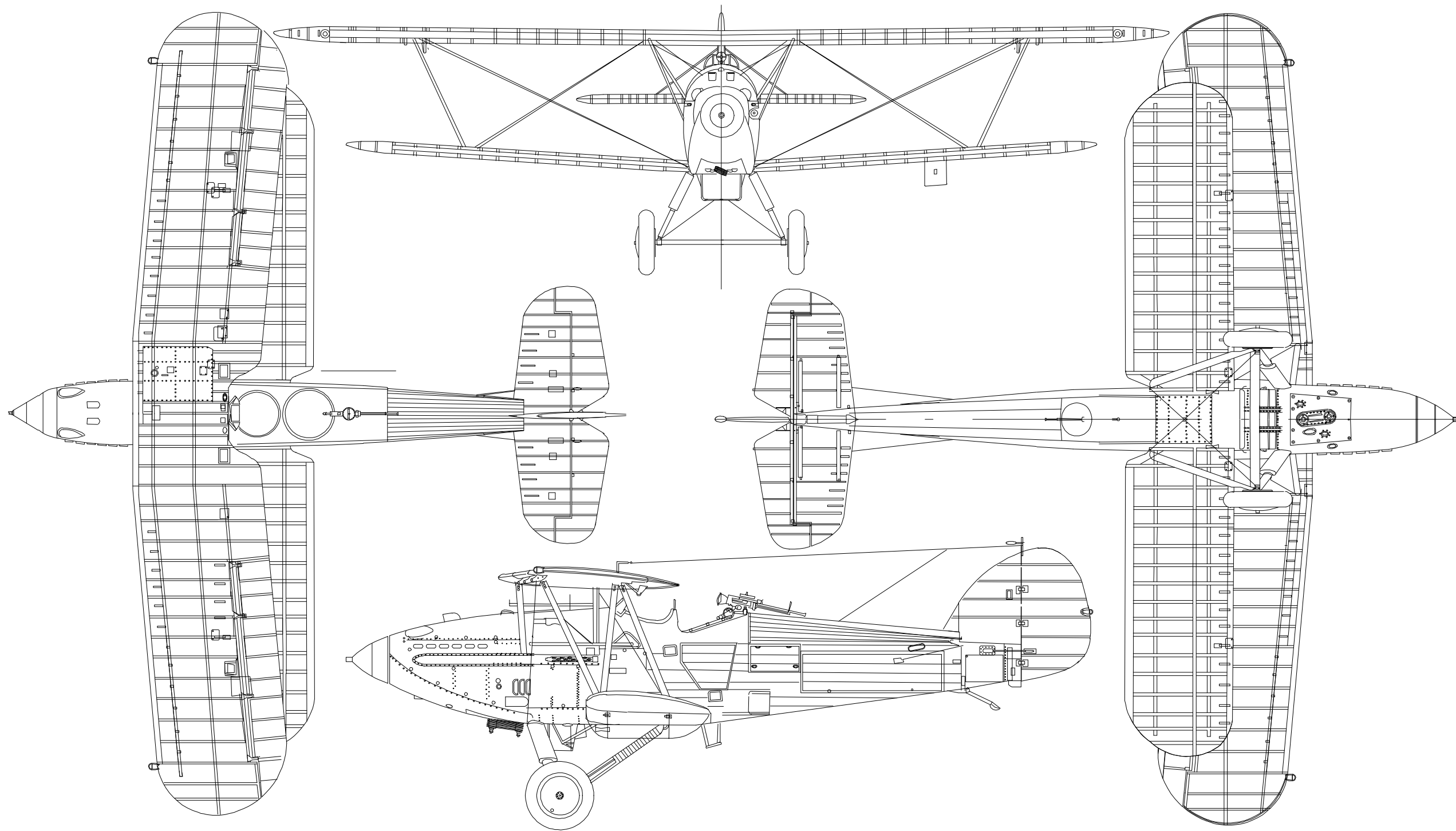


HAWKER HIND
 Drawn by Robert L Darlow
 5 of 7



Printing this page full size on 8 1/2x11 paper will give you a "Peanut" size scale model, but because of the extra weight and scale size tail surfaces, it will probably not fly well.

Printing this page full size on 11x17" paper will give you a scale model with a 26" wing span, that should fly very well.



HAWKER HIND

Drawn by Robert L Darlow

7 of 7