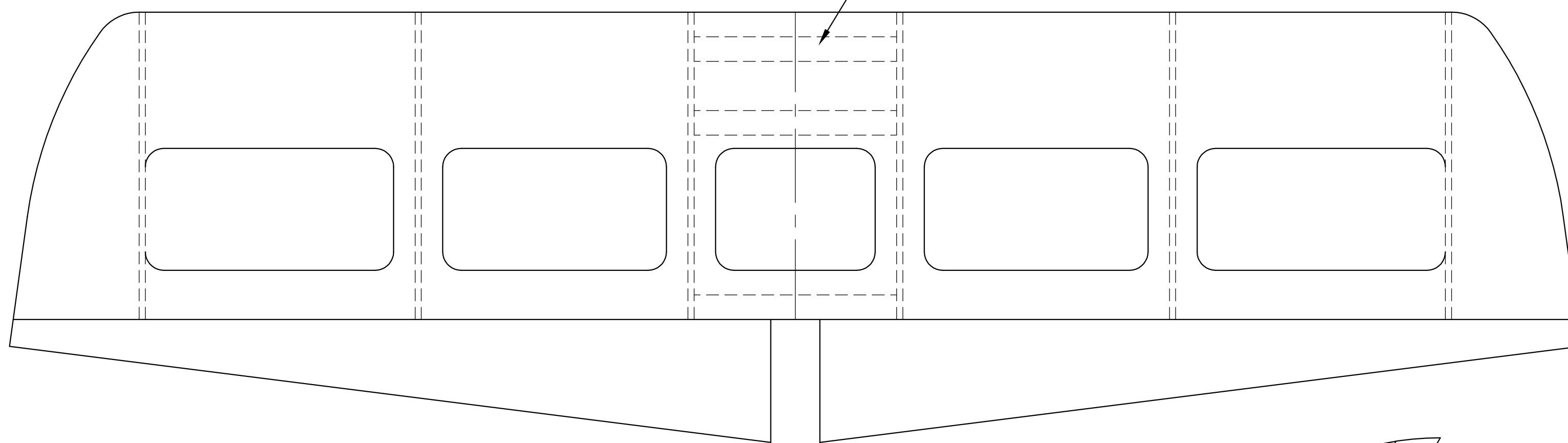


$\frac{1}{8}$ "x $\frac{1}{4}$ " Balsa blocking  
 flush with bottom of ribs  
 for receiver mount



PARKZONE 1" P-51 Spinner  
 #PKZ3601 w/PROP  
 #PKZ3604 Spinner ONLY 2PK

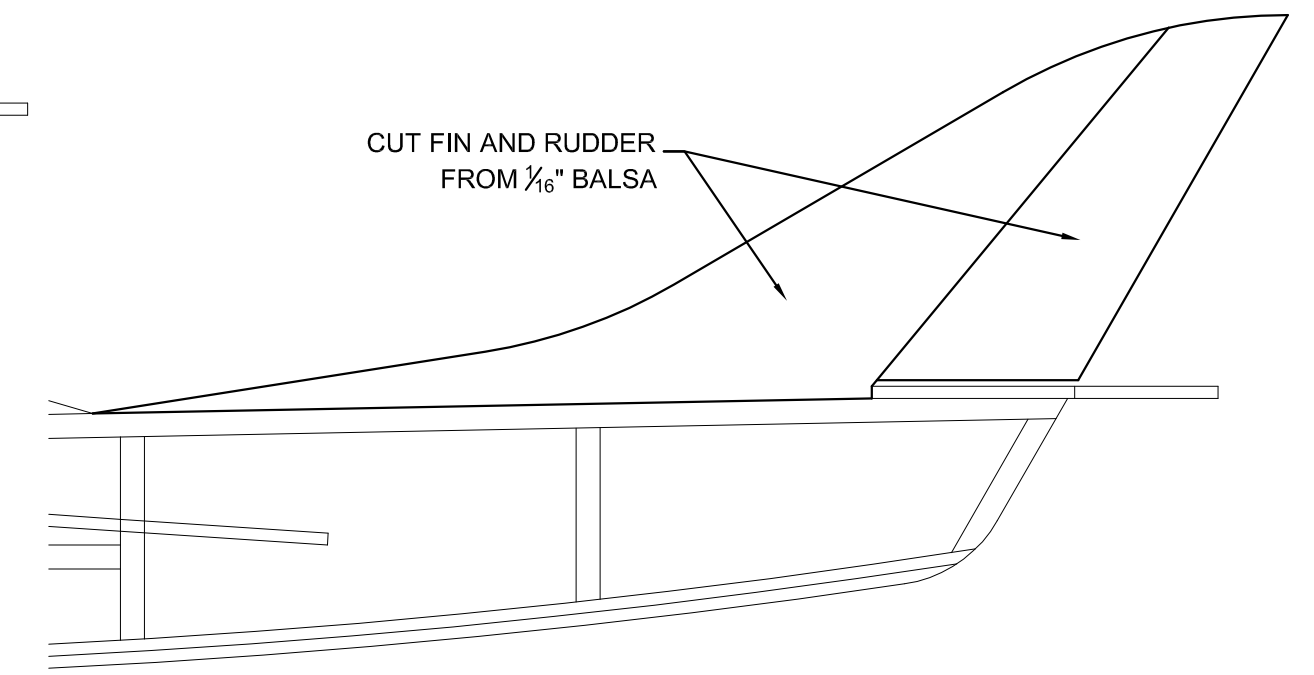
$\frac{1}{8}$ "x $\frac{1}{4}$ " Balsa  
 fuselage framing

Bottom perimeter  
 made from laminations  
 of  $\frac{1}{16}$ "x $\frac{1}{4}$ " Balsa

Optional landing gear  
 with 1" lightweight  
 foam wheel

Landing gear viewed from front

Cut fin and rudder  
 from  $\frac{1}{16}$ " Balsa



Optional vertical tail w/rudder